

STEP LITE

- Extremely durable 6.5" light that can be mounted on the rise of a step or anywhere safety or accent lighting is needed.
- Easy installation with screw mounts on each side – wire comes out the back.
- Operating voltage: 12Vdc
- UL Listed
- IP65 rated
- Operating Temperature: -4°F to 113°F



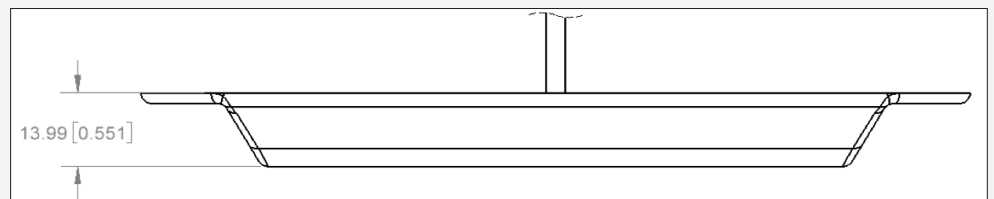
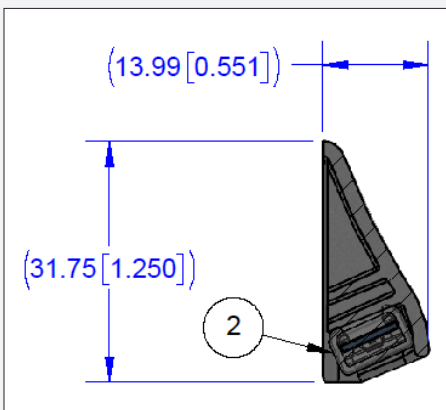
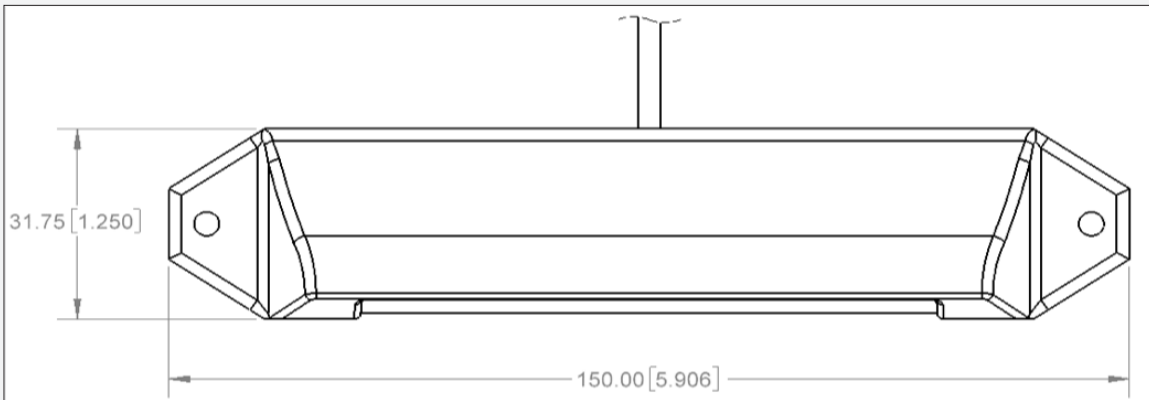
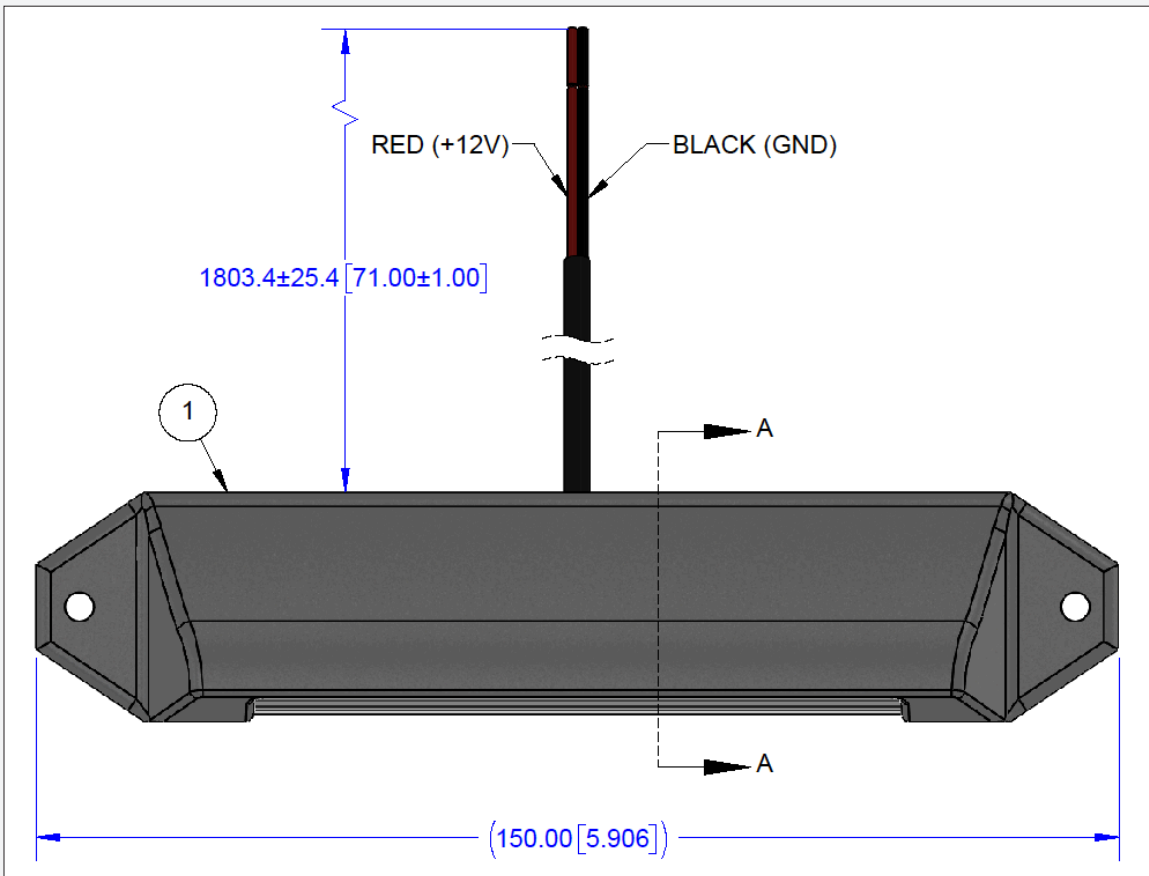
SPECIFICATIONS

PART NUMBER	COLOR	VOLTAGE (Vdcm)	AMPS (mA)	MAX WATTAGE (W)	WAVELENGTH (nm)/ CCT (K)	LUMINOUS FLUX (lm)
440164	Warm White	12.0	130	2.0	3000	105
440167	Natural White	12.0	130	2.0	4500	125
440170	Cool White	12.0	130	2.0	6000	138

**Part number is for the light assembly that goes into the housing.*

Vista reserves the right to modify this specification without prior notice.

DRAWINGS



Vista reserves the right to modify this specification without prior notice.

INSTALLATION INSTRUCTIONS

PREPARATION: You will need the following items prior to starting the installation process:

- Power Drill
- 1/16in drill bit
- 1/4in drill bit
- Driver bot
- Level
- Pencil
- Mounting hardware (not included)

INSTALLATION:

1. Identify the location that you would like to mount the light.
2. Drill a hole with the 1/4in drill bit at the center of the mounting location. Figure 1 has an "X" at the approximate location of the center hole where the wires will be routed.
3. Place the light into the housing as shown in Figure 2. The light is held in place with friction.
4. Feed wires through the hole drilled in step 2.
5. Place the light assembly (housing and light) against the mounting surface.
6. Place a level on top of the assembly to ensure a level installation.
7. With a pencil, mark the mounting holes on either end of the assembly then remove the assembly from the mounting surface.
8. Drill a 1/16in pilot hole at the locations marked in step 7.
9. Place the light back against the wall and install the screws into the pilot holes. Tighten until the mounting hardware contacts the housing, do not overtighten.

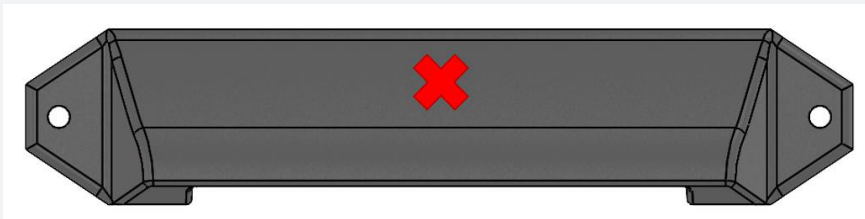


Figure 1: Wire Exit Location

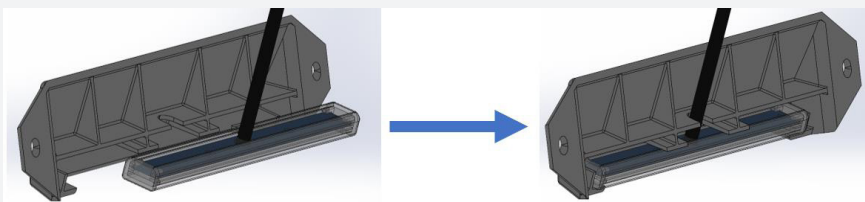
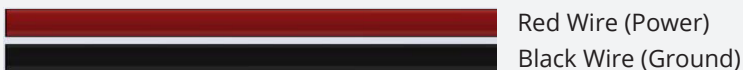


Figure 2: Light Installation into Housing

WIRING:

Determine the wiring configuration used on the product

- 2 Wire Version (1 Power / 1 Ground)



Vista reserves the right to modify this specification without prior notice.

DISCONNECT POWER SOURCE (BATTERY) BEFORE STARTING ELECTRICAL WORK.

Recommended methods for splicing wires together (*parts not included in Vista product kits*):

- Solder and cover bare wires with heat shrink or electrical tape.
- Insulation-displacement connector (IDC) / insulation-piercing contact (IPC).
- Twist on wire connector, “wire nut”.
- Crimp connector, “Butt splice”.

WARNING:

1. Supply current and wattage must not exceed the rated values on the specification documents.
2. Incorrect polarity or improper wiring may cause personal injury and/or damage to the product. It is recommended that an electrical technician, professional, or similarly qualified individual finish wiring.
3. To avoid electrical shock risk, all failures should be examined by a qualified technician.
4. Environmental suitability, including but not limited to water resistance, varies based on product design. Unless explicitly noted, products are to be installed in a location shielded from outdoor elements. To avoid irreparable damage, refer to specification sheets to locate products in a proper environment.
5. Do not install products near an open flame or in high temperature environments unless the product is explicitly designed to function as such. Adversely, do not install products in excessively cold environments unless explicitly designed to function as such. Refer to product spec sheets/drawings for information about minimum and maximum operating temperatures.
6. Vista Manufacturing Inc. is not liable for any injuries or damage caused due to improper wiring or installation.

Vista reserves the right to modify this specification without prior notice.
