

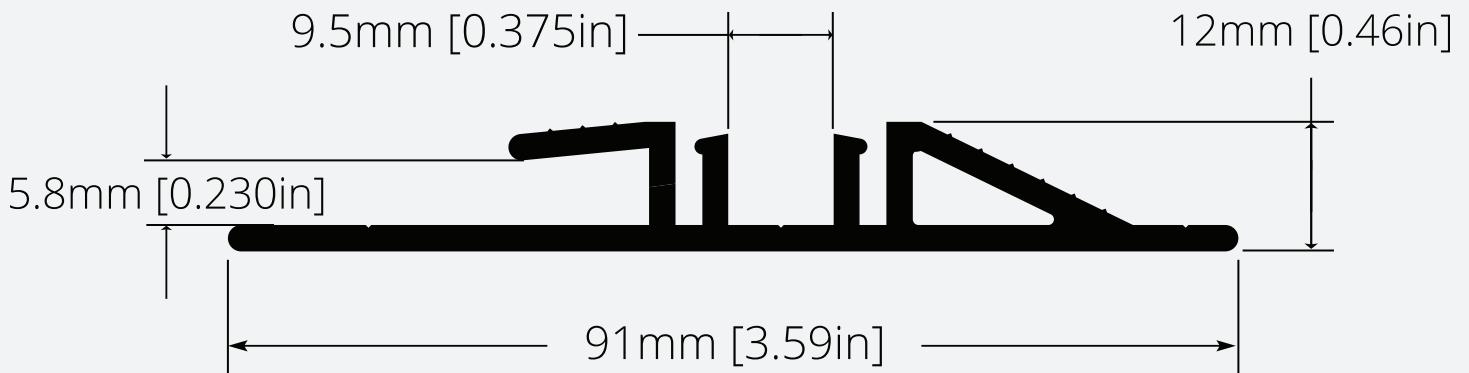
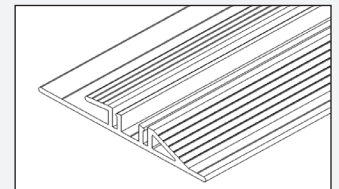
PAL FLEX CHANNEL OPTIONS

- Rugged, heavy-duty, black plastic channel with a clear cover
- Transitions from a hard surface to a carpeted area and provides light at the edge of the carpeted area
- Can be either glued or secured by screws for installation
- Channel is available in 12 feet or less as requested by customer
- Clear Polycarbonate Cover to seal lighting in channel
- Flex-lite and SKL (Square Krystal-lite) fit into channel for various lighting options

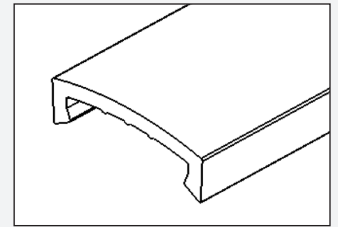
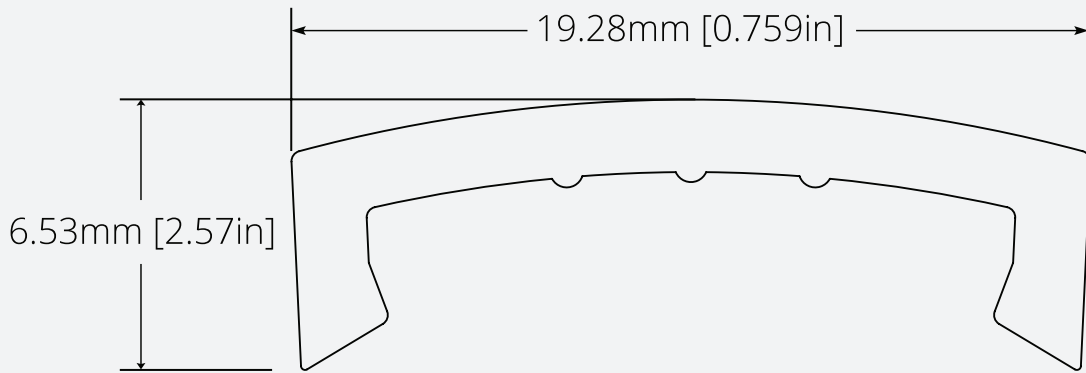


DIMENSIONS

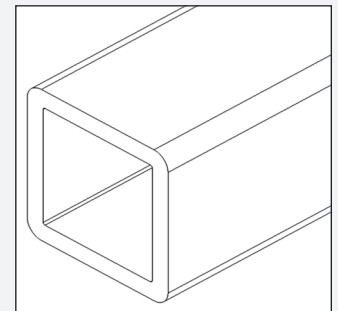
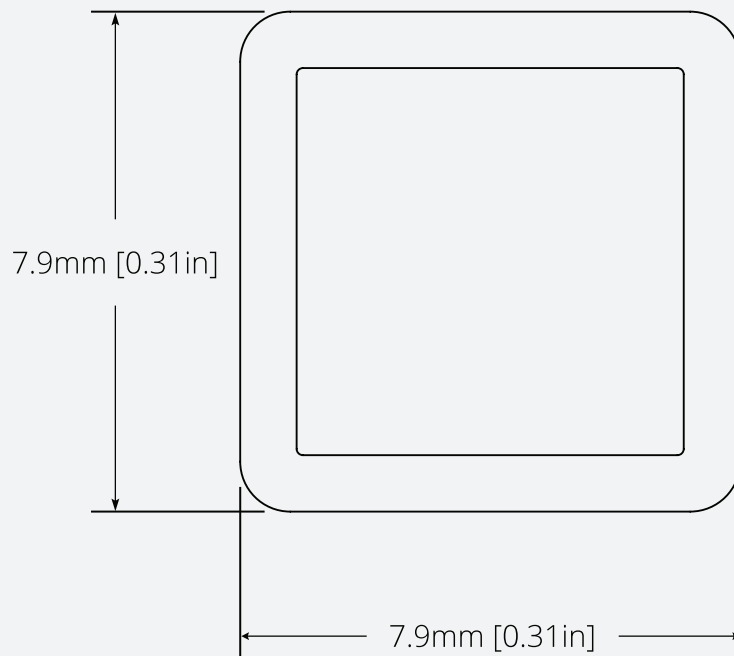
BLACK PLASTIC CHANNEL



CLEAR COVER

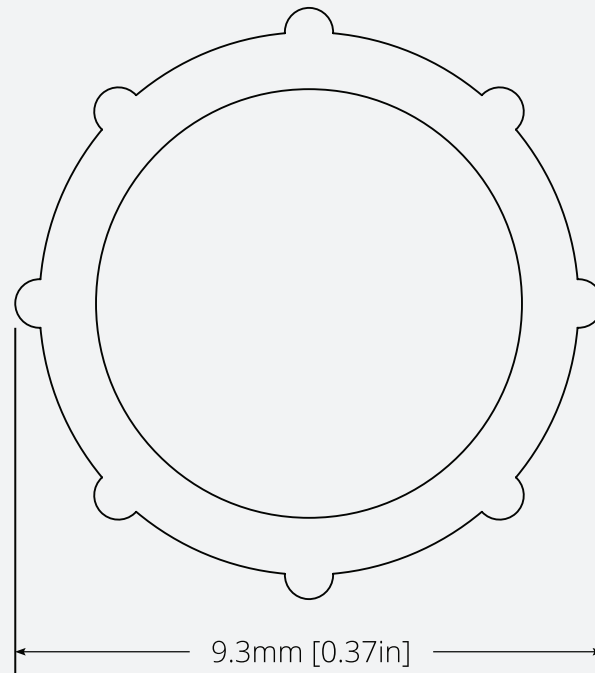
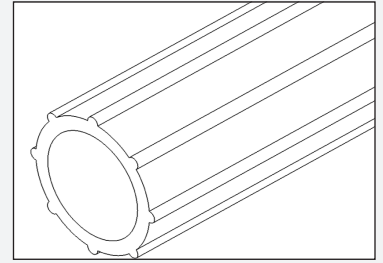


TUBE STYLE FOR SKL LIGHTING OPTIONS



Vista reserves the right to modify this specification without prior notice.

TUBE STYLE FOR FL LIGHTING OPTIONS



INSTALLATION INSTRUCTIONS

PREPARATION: Keep the following in mind:

- Make sure that the floor is level and clear of debris.
- Make sure that the carpet or floor piece has a straight and clean-cut edge.

INSTALLATION: It is recommended that all assembly pieces are readily available prior to assembly.

- Adhesive Installation Method
 1. Lift up the edge of the carpet piece where the transition is to occur.
 2. Slide the carpet edge into the open end of the channel.
 3. Dispense an appropriate plastic safe adhesive on the bottom of the channel (NOTE: adhesive is not included due to varying applications).
 4. Make sure that the channel is pressed firmly onto the carpet piece and press firmly to the floor.
 5. Allow adequate time for adhesive to cure.

Vista reserves the right to modify this specification without prior notice.

- **Fastener Installation Method**
 1. Measure and mark off the desired location for the transition channel.
 2. Install transition channel in the desired location with the desired fastener in either location 1 or location 2 (NOTE: mounting hardware not included due to varying applications). Location 1 is recommended.
 3. Fold up the edge of the carpet and slide it into the open end of the channel.
- **Light Installation**
 1. Press light into the center of the transition channel.
 2. Press the lens cover into the transition channel until a “snap” is heard.
 3. Connect power leads to power supply. See wiring information below

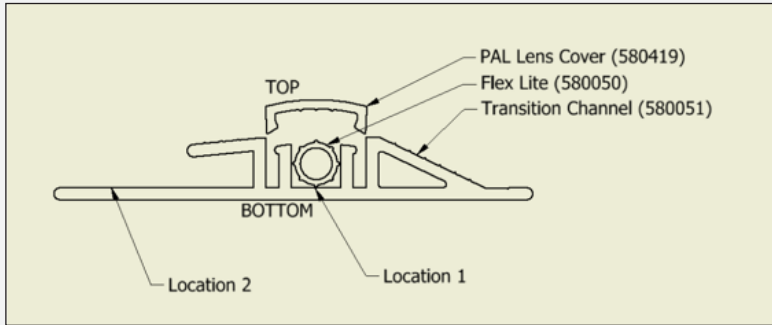


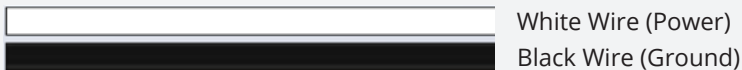
Figure 1:PAL Assembly Image

WIRING: Determine the wiring configuration used on the product:

- 2 Wire Version – (1 Power / 1 Ground)



- 2 Wire Version – (1 Power / 1 Ground)



- 3 Wire Version – (1 Power / 2 Ground)



Vista reserves the right to modify this specification without prior notice.

DISCONNECT POWER SOURCE (BATTERY) BEFORE STARTING ELECTRICAL WORK.

Recommended methods for splicing wires together (*parts not included in Vista product kits*):

- Solder and cover bare wires with heat shrink or electrical tape.
- Insulation-displacement connector (IDC) / insulation-piercing contact (IPC).
- Twist on wire connector, “wire nut”.
- Crimp connector, “Butt splice”.

WARNING:

1. Supply current and wattage must not exceed the rated values on the specification documents.
2. Incorrect polarity or improper wiring may cause personal injury and/or damage to the product. It is recommended that an electrical technician, professional, or similarly qualified individual finish wiring.
3. To avoid electrical shock risk, all failures should be examined by a qualified technician.
4. Environmental suitability, including but not limited to water resistance, varies based on product design. Unless explicitly noted, products are to be installed in a location shielded from outdoor elements. To avoid irreparable damage, refer to specification sheets to locate products in a proper environment.
5. Do not install products near an open flame or in high temperature environments unless the product is explicitly designed to function as such. Adversely, do not install products in excessively cold environments unless explicitly designed to function as such. Refer to product spec sheets/drawings for information about minimum and maximum operating temperatures.
6. Vista Manufacturing Inc. is not liable for any injuries or damage caused due to improper wiring or installation.

Vista reserves the right to modify this specification without prior notice.
