

# TORPEDO LIGHT

- Available in two different sizes (6.5 and 10-inch) with a decorative and functional cover
- Three different LED spacings (1 ¼- (30/mt), ½- (60/mt), and 5/16-inch- 120/mt) are offered for various light output requirements utilizing IP65 or IP68 flexi-tape
- Bright and intense lighting with low amp draw
- Available in 12 and 24 volts
- UV additive inhibits color fading
- Standard 12-inch lead with custom terminations available
- Lead terminates out the back of the light for a more finished look
- Surface mounted design installs easily with two screws
- Multiple colors available – see lists below



## SPECIFICATIONS

### 6.5in Torpedo 30/m

COLOR OUTPUT	VOLTAGE	AMPS (mA)	WATTAGE (W MAX)	CCT (K)/ WAVELENGTH (nm)	LUMINOUS FLUX (lm)
Warm White	13.8 Vdcm	20	0.27	3000	13
Daylight White	13.8 Vdcm	20	0.27	4500	15
Pure White	13.8 Vdcm	20	0.27	6000	14
Red	13.8 Vdcm	20	0.27	628	1
Amber	13.8 Vdcm	20	0.27	591	2
Green	13.8 Vdcm	20	0.27	522	8
Blue	13.8 Vdcm	20	0.27	465	2

### 6.5in Torpedo 60/m

COLOR OUTPUT	VOLTAGE	AMPS (mA)	WATTAGE (W MAX)	CCT (K)/ WAVELENGTH (nm)	LUMINOUS FLUX (lm)
Warm White	13.8 Vdcm	40	0.54	3000	26
Daylight White	13.8 Vdcm	40	0.54	4500	30
Pure White	13.8 Vdcm	40	0.54	6000	28
Red	13.8 Vdcm	40	0.54	628	2
Amber	13.8 Vdcm	40	0.54	591	4
Green	13.8 Vdcm	40	0.54	522	16
Blue	13.8 Vdcm	40	0.54	465	4

### 6.5in Torpedo 120/m

COLOR OUTPUT	VOLTAGE	AMPS (mA)	WATTAGE (W MAX)	CCT (K)/ WAVELENGTH (nm)	LUMINOUS FLUX (lm)
Warm White	13.8 Vdcm	80	1.08	3000	52
Daylight White	13.8 Vdcm	80	1.08	4500	60
Pure White	13.8 Vdcm	80	1.08	6000	56
Red	13.8 Vdcm	80	1.08	628	4
Amber	13.8 Vdcm	80	1.08	591	8
Green	13.8 Vdcm	80	1.08	522	32
Blue	13.8 Vdcm	80	1.08	465	8

*Vista reserves the right to modify this specification without prior notice.*

### 10.5in Torpedo 30/m

COLOR OUTPUT	VOLTAGE	AMPS (mA)	WATTAGE (W MAX)	CCT (K)/ WAVELENGTH (nm)	LUMINOUS FLUX (lm)
Warm White	13.8 Vdcm	40	0.54	3000	26
Daylight White	13.8 Vdcm	40	0.54	4500	30
Pure White	13.8 Vdcm	40	0.54	6000	28
Red	13.8 Vdcm	40	0.54	628	2
Amber	13.8 Vdcm	40	0.54	591	4
Green	13.8 Vdcm	40	0.54	522	16
Blue	13.8 Vdcm	40	0.54	465	4

### 10.5in Torpedo 60/m

COLOR OUTPUT	VOLTAGE	AMPS (mA)	WATTAGE (W MAX)	CCT (K)/ WAVELENGTH (nm)	LUMINOUS FLUX (lm)
Warm White	13.8 Vdcm	80	1.08	3000	52
Daylight White	13.8 Vdcm	80	1.08	4500	60
Pure White	13.8 Vdcm	80	1.08	6000	56
Red	13.8 Vdcm	80	1.08	628	4
Amber	13.8 Vdcm	80	1.08	591	8
Green	13.8 Vdcm	80	1.08	522	32
Blue	13.8 Vdcm	80	1.08	465	8

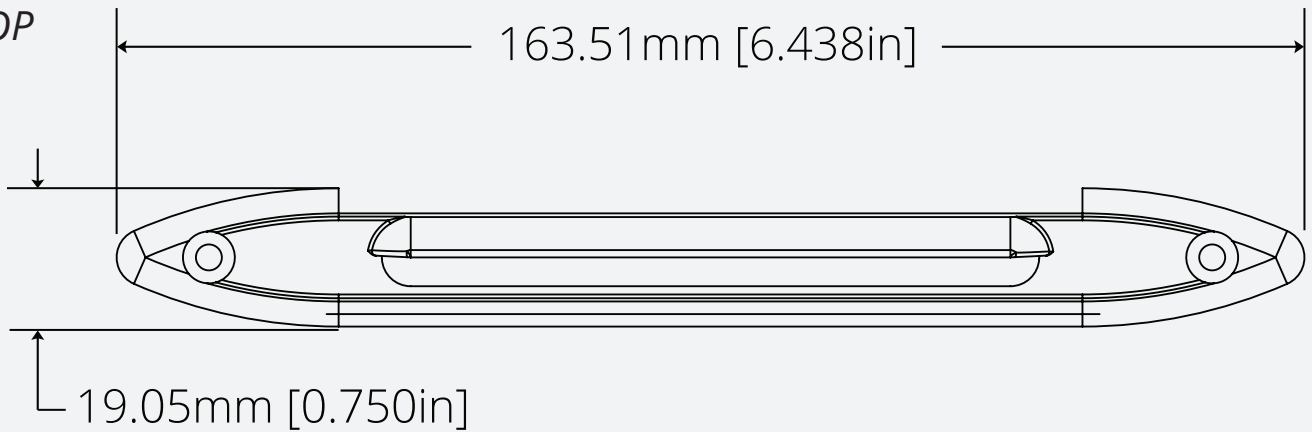
*Vista reserves the right to modify this specification without prior notice.*

## 10.5in Torpedo 120/m

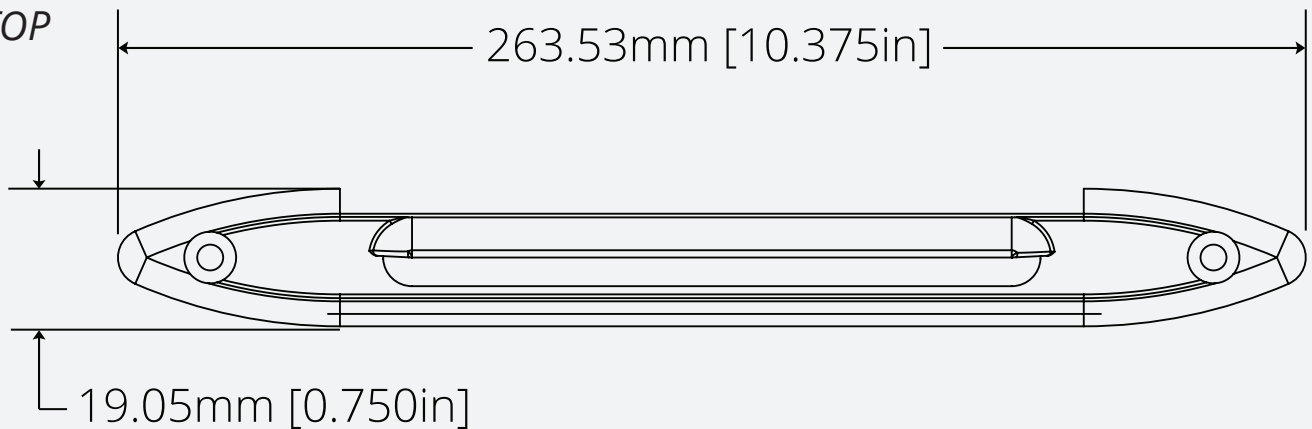
COLOR OUTPUT	VOLTAGE	AMPS (mA)	WATTAGE (W MAX)	CCT (K)/ WAVELENGTH (nm)	LUMINOUS FLUX (lm)
Warm White	13.8 Vdcm	160	2.16	3000	104
Daylight White	13.8 Vdcm	160	2.16	4500	120
Pure White	13.8 Vdcm	160	2.16	6000	112
Red	13.8 Vdcm	160	2.16	628	8
Amber	13.8 Vdcm	160	2.16	591	16
Green	13.8 Vdcm	160	2.16	522	64
Blue	13.8 Vdcm	160	2.16	465	16

## DIMENSIONS

6.5in TOP

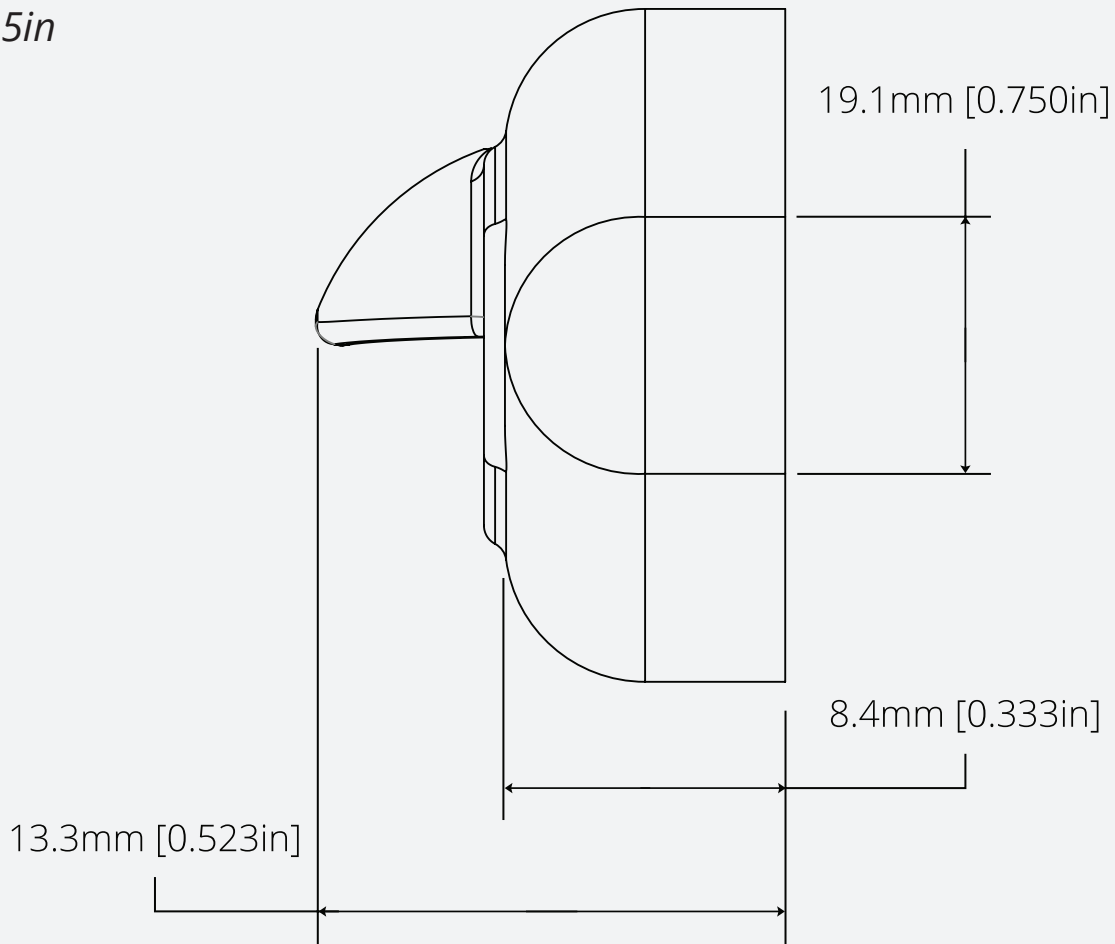


10.5in TOP



*Vista reserves the right to modify this specification without prior notice.*

6.5 & 10.5in  
SIDE



## INSTALLATION INSTRUCTIONS

**PREPARATION:** You will need the following items prior to starting the installation process:

- Power Drill
- 1/16in drill bit
- 1/4in drill bit
- Phillips head bit
- Level
- Pencil

### INSTALLATION:

1. Identify the location that you would like to mount the light.
2. From the edge of the light assembly, make a mark roughly 0.75in inward from the edge of the light assembly, see Figure 1.
3. Drill a hole with the 1/4in drill bit at the location marked in step 2.
4. Feed wires through the hole drilled in step 3.

*Vista reserves the right to modify this specification without prior notice.*

5. Place the light assembly (housing and light strip) against the mounting surface.
6. Slide the assembly towards the end with the lead wires so that there is material to drill in to for both mounting holes.
7. Place the level on top of the assembly to ensure a level installation.
8. With your pencil, mark the mounting holes on either end of the assembly, see Figure 1, and remove the assembly from the mounting surface.
9. Drill a 1/16in pilot hole at the locations marked in step 8.
10. Place the light back against the wall and, with the Phillips head bit, install the screws into the pilot holes.

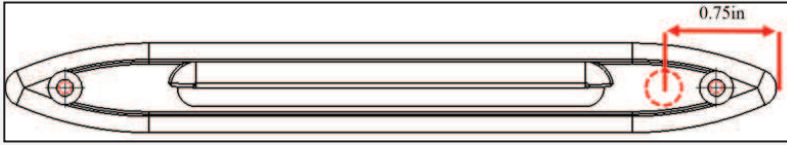


Figure 1: Example of Drilled Hole Locations

**WIRING:** Determine the wiring configuration used on the product.

- 2 Wire Version (1 Power / 1 Ground)



- 2 Wire Version (1 Power / 1 Ground)



- 3 Wire Version (1 Power / 2 Ground)



**DISCONNECT POWER SOURCE (BATTERY) BEFORE STARTING ELECTRICAL WORK.**

Recommended methods for splicing wires together (*parts not included in Vista product kits*):

- Solder and cover bare wires with heat shrink or electrical tape.
- Insulation-displacement connector (IDC) / insulation-piercing contact (IPC).
- Twist on wire connector, "wire nut".
- Crimp connector, "Butt splice".

Vista reserves the right to modify this specification without prior notice.

**WARNING:**

1. Supply current and wattage must not exceed the rated values on the specification documents.
2. Incorrect polarity or improper wiring may cause personal injury and/or damage to the product. It is recommended that an electrical technician, professional, or similarly qualified individual finish wiring.
3. To avoid electrical shock risk, all failures should be examined by a qualified technician.
4. Environmental suitability, including but not limited to water resistance, varies based on product design. Unless explicitly noted, products are to be installed in a location shielded from outdoor elements. To avoid irreparable damage, refer to specification sheets to locate products in a proper environment.
5. Do not install products near an open flame or in high temperature environments unless the product is explicitly designed to function as such. Adversely, do not install products in excessively cold environments unless explicitly designed to function as such. Refer to product spec sheets/drawings for information about minimum and maximum operating temperatures.
6. Vista Manufacturing Inc. is not liable for any injuries or damage caused due to improper wiring or installation.

---

*Vista reserves the right to modify this specification without prior notice.*

---