

# DRACO

- Available in white or black, with or without power button
- Operating voltage 10 to 30 Vdc
- Operating temperature -40° C to 65° C
- IP67 rated
- UV compliant with ASTM G155 (black end cap only)
- Salt spray compliant with ASTM B117
- ROHS 2 compliant
- UL category code (CCN) IFDR2/IFDR8



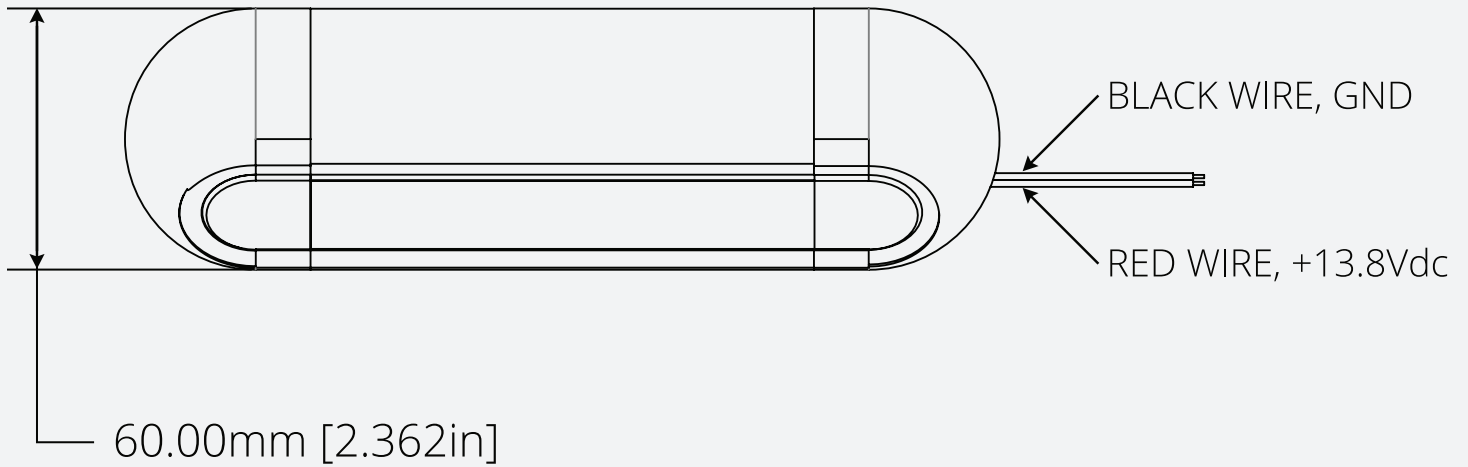
## SPECIFICATIONS

### LIGHT SPECIALTY DRACO IP67 10-30 V 4000K

COLOR OUTPUT	PART NUMBER	VOLTAGE	CURRENT (mA)	WATTAGE (W MAX)	CCT (K)/ WAVELENGTH (nm)	LUMINOUS FLUX (lm)	LENGTH (IN)
White	440153	20	0.25	3.2	3,725	160	8
White	440154	20	0.60	8.2	3,725	350	12
White	440155	20	0.25	3.2	3,725	160	8
White	440156	20	0.60	8.2	3,725	350	12
White	440160	20	0.25	3.2	3,725	160	8
White	440161	20	0.60	8.2	3,725	350	12
White	440162	20	0.25	3.2	3,725	160	8
White	440163	20	0.60	8.2	3,725	350	12

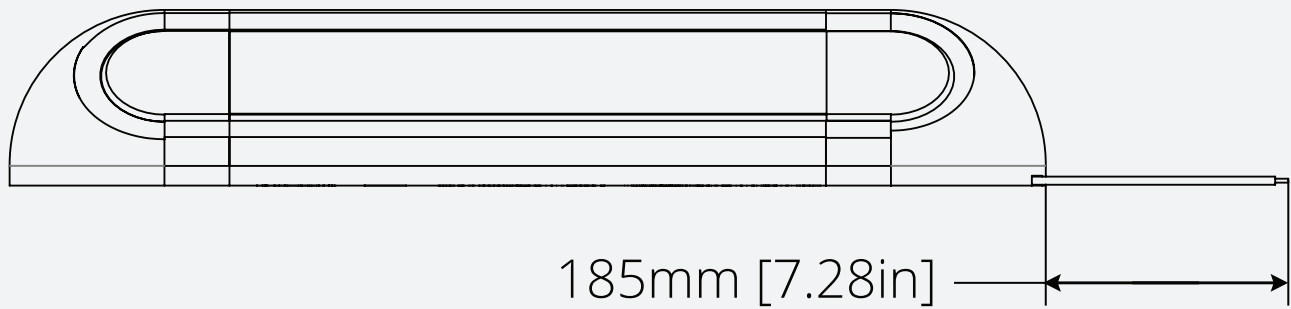
# DIMENSIONS

## FRONT VIEW



## SIDE VIEW

Available in 8" or 12" length



Vista reserves the right to modify this specification without prior notice.

# INSTALLATION INSTRUCTIONS

**PREPARATION:** Keep the following in mind:

- **Disclaimer:** Drill holes at your own risk
- The following tools are required for this installation: Screwdriver
- Verify the location for the light to be installed. Choose a location that is distanced away from any high temperature heat source. It is suggested that intended mounting location is measured prior to installation to ensure proper fitment.
- Verify that there is a clear path for the power wires to be routed from the assembly to the power source.

Determine the appropriate hole size based on the overall diameter of the product

- For 3" diameter assemblies, utilize a 2.5" mounting hole
- For 4" diameter assemblies, utilize a 3.5" mounting hole

**FASTENING:** The Aurora lights utilize spring clips only for mounting

1. Remove the endcaps of the Draco light by locating the tabs on the bottom of the assembly. Using your finger or a flat-head screwdriver, gently pry the tabs upwards so that the endcap releases from the main body.



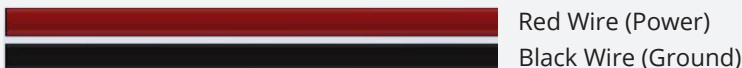
*Figure 1: Bottom View of Draco Assembly Showing Tabs*

2. Mount the light to a desired surface by using the included screws. Once the light is properly secured, replace endcaps by snapping them back onto the main body of the Draco light.

**WIRING:** Route wires as necessary for the application. Do not pinch or puncture wires with fasteners. Do not route wires around sharp edges. The use of a wire loom is suggested for protection if wires are to be routed through areas where they may encounter sharp edges, in an application that would experience high amounts of vibration, in areas that may have fasteners protruding into them during later assembly, or other extreme conditions.

Determine the wiring configuration used on the product

- 2 Wire Version (1 Power / 1 Ground)



*Vista reserves the right to modify this specification without prior notice.*

**DISCONNECT POWER SOURCE (BATTERY) BEFORE STARTING ELECTRICAL WORK.**

Recommended methods for splicing wires together (*parts not included in Vista product kits*):

- Solder and cover bare wires with heat shrink or electrical tape.
- Insulation-displacement connector (IDC) / insulation-piercing contact (IPC).
- Twist on wire connector, "wire nut".
- Crimp connector, "Butt splice".

**WARNING:**

1. Supply current and wattage must not exceed the rated values on the specification documents.
2. Incorrect polarity or improper wiring may cause personal injury and/or damage to the product. It is recommended that an electrical technician, professional, or similarly qualified individual finish wiring.
3. To avoid electrical shock risk, all failures should be examined by a qualified technician.
4. Environmental suitability, including but not limited to water resistance, varies based on product design. Unless explicitly noted, products are to be installed in a location shielded from outdoor elements. To avoid irreparable damage, refer to specification sheets to locate products in a proper environment.
5. Do not install products near an open flame or in high temperature environments unless the product is explicitly designed to function as such. Adversely, do not install products in excessively cold environments unless explicitly designed to function as such. Refer to product spec sheets/drawings for information about minimum and maximum operating temperatures.
6. Vista Manufacturing Inc. is not liable for any injuries or damage caused due to improper wiring or installation.

---

*Vista reserves the right to modify this specification without prior notice.*

---