

ORION

- Task, compartment and down lighting
- Available in Blue, White or White/Blue/Amber combination.
- Low profile
- Operating voltage: 2.7 to 3.5V
- IP65 rating
- Operating Temperature: -25 to 60°C



SPECIFICATIONS

TWO WIRE - ORION LIGHT SPECS

COLOR OUTPUT	PART NUMBER	BEZEL/LENS COLOR	VOLTAGE	CURRENT/Ft. (mA)	WATTAGE (W MAX)	CCT (K)/ WAVELENGTH (nm)	LUMINOUS FLUX (lm)
White	470048	Clear	2.7 - 3.5	350	1.5	5,000	115
Blue	470049	Clear	2.7 - 3.5	350	1.5	470	25

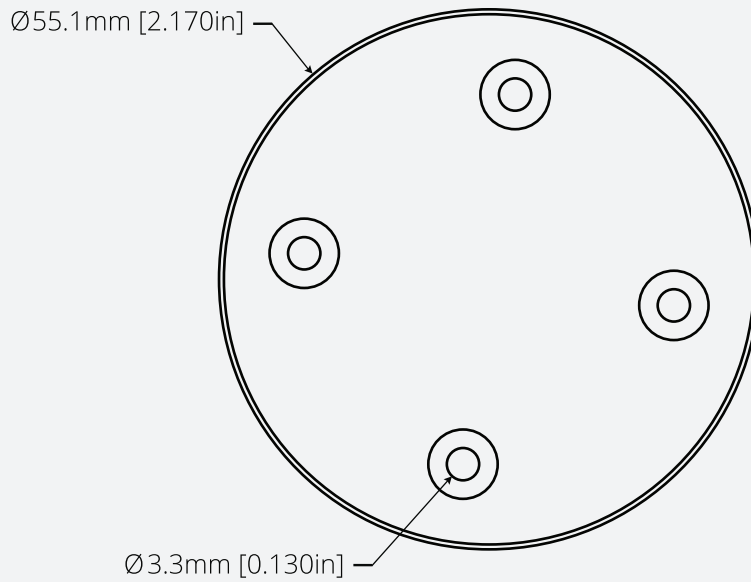
THREE WIRE - ORION LIGHT SPECS

COLOR OUTPUT	PART NUMBER	BEZEL/LENS COLOR	VOLTAGE	CURRENT/Ft. (mA)	WATTAGE (W MAX)	CCT (K)/ WAVELENGTH (nm)	LUMINOUS FLUX (lm)
White	470058	Clear	2.7 - 3.5	350	1.5	5,000	115
Blue	470058	Clear	2.7 - 3.5	350	1.5	470	25
Amber	470058	Clear	2.7 - 3.5	350	1.5	590	45

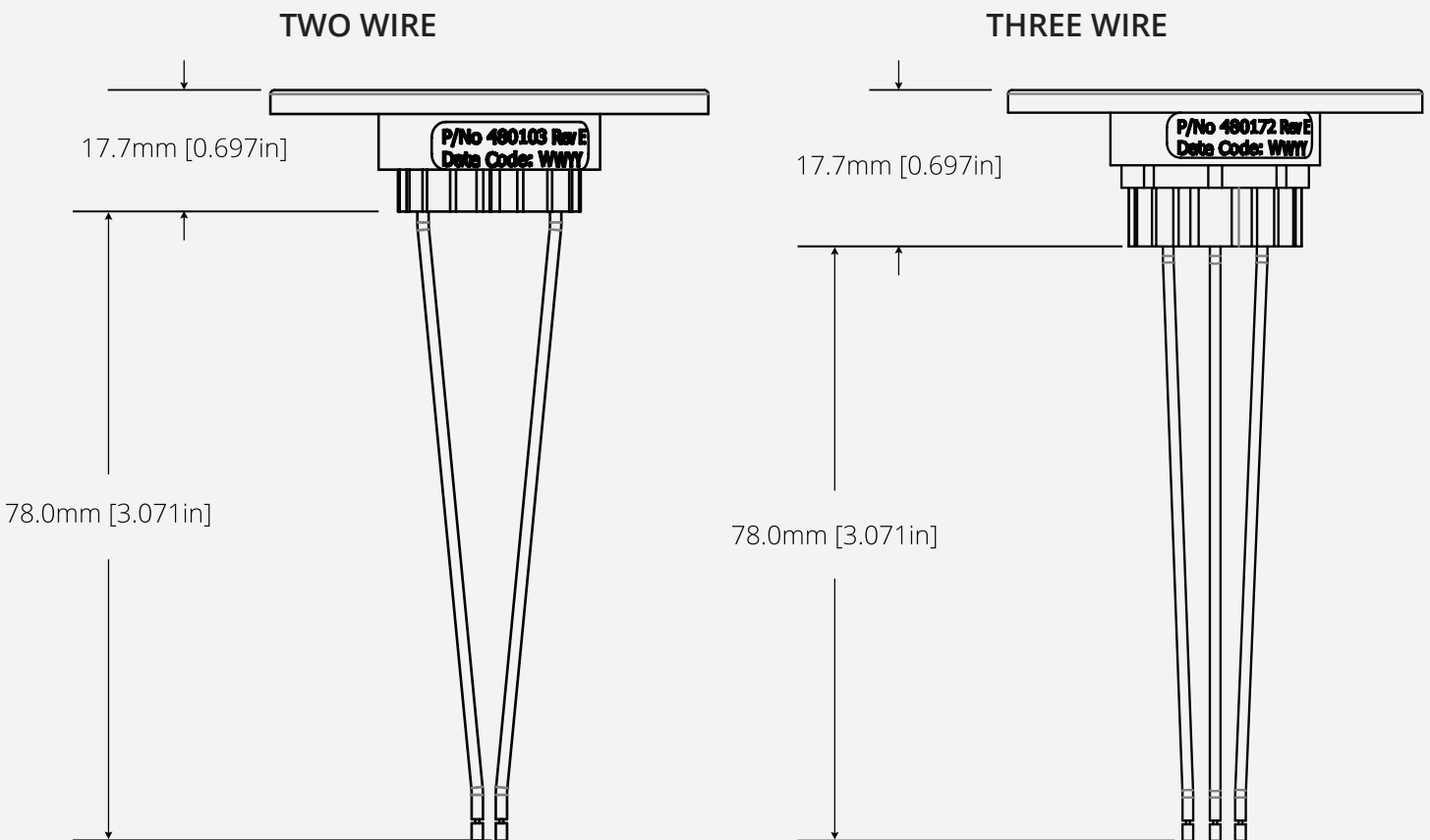
Vista reserves the right to modify this specification without prior notice.

DIMENSIONS

FRONT VIEW



SIDE VIEW



INSTALLATION HOLE SIZE:
28.6 [1.125] - 34.9 [1.375]

Vista reserves the right to modify this specification without prior notice.

INSTALLATION INSTRUCTIONS

PREPARATION: Keep the following in mind:

- Disclaimer: Drill holes at your own risk
- Verify the location for the light to be installed
- Verify that there is enough clearance for the housing of the product to fit into the intended mounting location
- Utilize a hole saw bit to cut a hole between 1.25 – 1.375" for the product to be installed properly

WIRING: Determine the wiring configuration used on the product.

- 2 Wires - (1 Power / 1 Ground)



Red Wire (Power, +2.7-3.5 Vdc, 350mA CC)

Blue Wire (Ground)

- 2 Wires - (1 Power / 1 Ground)



Black Wire (Ground)

White Wire (Power, +2.7-3.5 Vdc, 350mA CC)

Blue Wire (Power, +2.7-3.5 Vdc, 350mA CC)

Yellow Wire (Power, +2.7-3.5 Vdc, 350mA CC)

FASTENING: The Orion lights have 4 holes located on the bezel for mounting

- Clean the mounting surface before installing the product
- Insert the light into the mounting hole – flush against the mounting surface and hold in place while installing #5 screws into all four-hole locations – see Figure 1. (**NOTE:** mounting hardware not included due to varying applications)

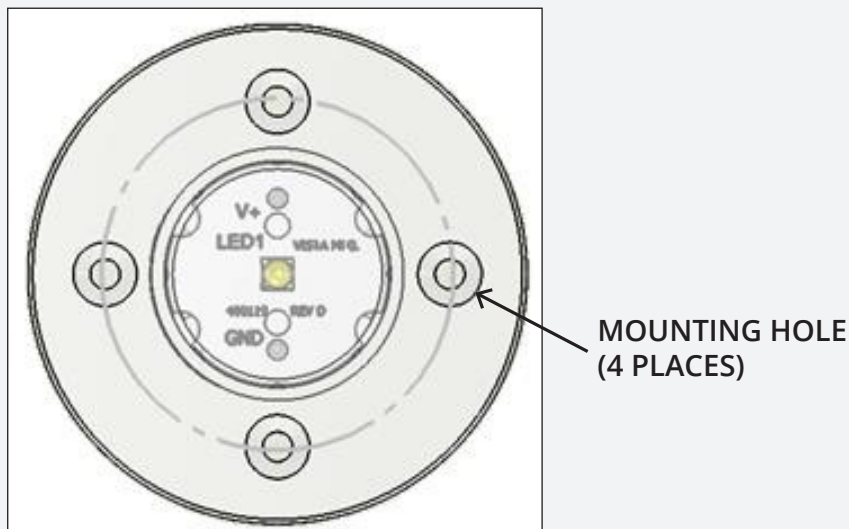


Figure 1: Orion front view, mounting hole locations

Vista reserves the right to modify this specification without prior notice.

DISCONNECT POWER SOURCE (BATTERY) BEFORE STARTING ELECTRICAL WORK.

Recommended methods for splicing wires together (*parts not included in Vista product kits*):

- Solder and cover bare wires with heat shrink or electrical tape.
- Insulation-displacement connector (IDC) / insulation-piercing contact (IPC).
- Twist on wire connector, “wire nut”.
- Crimp connector, “Butt splice”.

WARNING:

1. Supply current and wattage must not exceed the rated values on the specification documents.
2. Incorrect polarity or improper wiring may cause personal injury and/or damage to the product. It is recommended that an electrical technician, professional, or similarly qualified individual finish wiring.
3. To avoid electrical shock risk, all failures should be examined by a qualified technician.
4. Environmental suitability, including but not limited to water resistance, varies based on product design. Unless explicitly noted, products are to be installed in a location shielded from outdoor elements. To avoid irreparable damage, refer to specification sheets to locate products in a proper environment.
5. Do not install products near an open flame or in high temperature environments unless the product is explicitly designed to function as such. Adversely, do not install products in excessively cold environments unless explicitly designed to function as such. Refer to product spec sheets/drawings for information about minimum and maximum operating temperatures.
6. Vista Manufacturing Inc. is not liable for any injuries or damage caused due to improper wiring or installation.

Vista reserves the right to modify this specification without prior notice.
