

FOCAL LIGHT

- Replaceable LED board allows for easy change (no replacing or rewiring of the entire fixture)
- Disperses a wide display of light (beam angle)
- Lens cover is tamper-proof, installs easily, and is virtually maintenance-free
- Provides both optimum ambiance and functional lighting
- Available in white and warm white
- Operating temp - -10 to 40°C
- IP54 rating

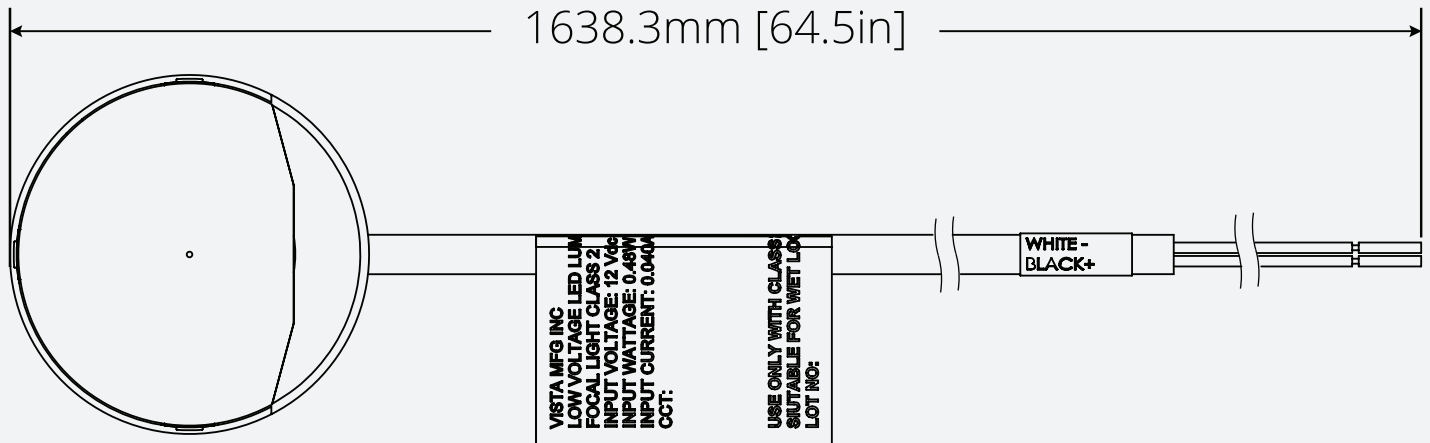


SPECIFICATIONS

PART NUMBER	VOLTAGE	CURRENT (mA)	WATTAGE (W MAX)	CCT (K)/ WAVELENGTH (nm)	LUMINOUS FLUX (lm)
480274	12	0.04	0.480	2700	33
480275	24	0.04	0.960	2700	33
480276	12	0.04	0.480	5000	35
480277	24	0.04	0.960	5000	35

DIMENSIONS

TOP VIEW



INSTALLATION INSTRUCTIONS

PREPARATION: Keep the following in mind:

- Disclaimer: Drill holes at your own risk
- Gather the required tools for this installation: Philips screwdriver, Drill with a 1/16" and 7/16" drill bit (optional)
- Verify the location for the light to be installed. Choose a location that minimizes the possibility of the light being disturbed (i.e., bumped into) and that the location is distanced away from any high temperature heat source. It is suggested that the light is physically placed in the intended mounting location to ensure proper fitment.
- Verify that there is a clear path for the power wires to be routed from the assembly to the power source.
- See 013028 for service instructions.

FASTENING:

1. Be sure that power is off and the light is not yet connected to power. Use the drill patterns shown below in Figure 1 and predrill mounting and conduit holes.

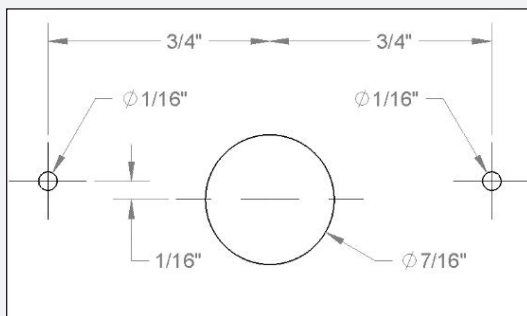


Figure 1: Drill Pattern

Vista reserves the right to modify this specification without prior notice.

2. Insert conduit in predrilled 7/16" hole as shown in Figure 2.



Figure 2: Light Installation

3. Secure light base as shown below in Figure 3.



Figure 3: Base Secured with Screws

4. Position the back slot of the domed housing into the clip on the attached base. See Figure 4.
5. While maintaining contact on the back slot, lightly squeeze the left and right side together and push the housing into the base. Use a gentle push on the open face of the housing to confirm that the housing is secured on the left, right and back clips. See Figure 5.
6. Insert the tab of the right side of the clear lens into the slot in the side of the housing by applying pressure to the left side of the housing. See Figure 6.
7. Lightly squeeze the lens by applying pressure to the left side to push the left tab of the lens into the slot on the left side of the housing. See Figure 7.
8. Apply downward pressure to the housing-lens and press to seat the housing-lens together into the base. You should hear an audible click upon successful installation. See Figure 8.
9. You can tap the top of the housing-lens into the base or press the lens to ensure that the housing-lens is mounted securely. See Figure 9.

Vista reserves the right to modify this specification without prior notice.



Figure 4: Back Slot Alignment



Figure 5: Left and right alignment



Figure 6: Insert side of lens



Figure 7: Insert other side of lens

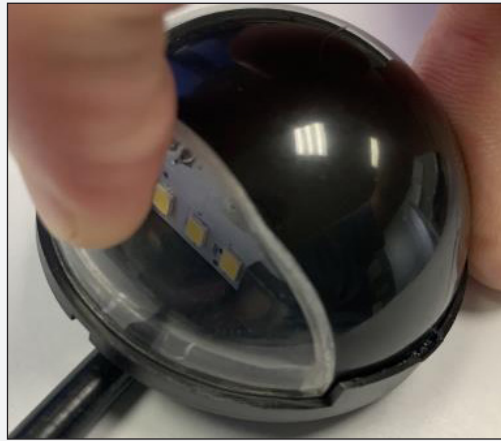


Figure 8: Press housing to install

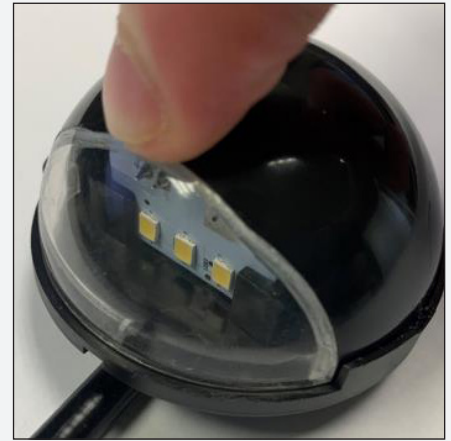
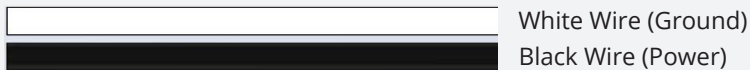


Figure 9: Ensure secure mounting

NOTE: Correct installation should result in all three snaps properly engaged and both tabs on the sides of the lens inserted into the slots on the housing.

WIRING: Route wires as necessary for the application. Do not pinch or puncture wires with fasteners. Do not route wires around sharp edges. The use of a wire loom is suggested for protection if wires are to be routed through areas where they may encounter sharp edges, in an application that would experience high amounts of vibration, in areas that may have fasteners protruding into them during later assembly, or other extreme conditions.

- 2 Wire Version (1 Power / 1 Ground)



Vista reserves the right to modify this specification without prior notice.

DISCONNECT POWER SOURCE (BATTERY) BEFORE STARTING ELECTRICAL WORK.

Recommended methods for splicing wires together (*parts not included in Vista product kits*):

- Solder and cover bare wires with heat shrink or electrical tape.
- Insulation-displacement connector (IDC) / insulation-piercing contact (IPC).
- Twist on wire connector, “wire nut”.
- Crimp connector, “Butt splice”.

WARNING:

1. Supply current and wattage must not exceed the rated values on the specification documents.
2. Incorrect polarity or improper wiring may cause personal injury and/or damage to the product. It is recommended that an electrical technician, professional, or similarly qualified individual finish wiring.
3. To avoid electrical shock risk, all failures should be examined by a qualified technician.
4. Environmental suitability, including but not limited to water resistance, varies based on product design. Unless explicitly noted, products are to be installed in a location shielded from outdoor elements. To avoid irreparable damage, refer to specification sheets to locate products in a proper environment.
5. Do not install products near an open flame or in high temperature environments unless the product is explicitly designed to function as such. Adversely, do not install products in excessively cold environments unless explicitly designed to function as such. Refer to product spec sheets/drawings for information about minimum and maximum operating temperatures.
6. Vista Manufacturing Inc. is not liable for any injuries or damage caused due to improper wiring or installation.

Vista reserves the right to modify this specification without prior notice.
