

FLEXI-TAC

- Patented design
- Significantly decreases installation time
- Available in 7 vibrant colors and RGB
- IP65
- 3528 LED – 30/mt, 60/mt or 120/mt spacing available
- UL approved
- D10/Gimp pneumatic gun tested and approved



SPECIFICATIONS

30/M

PART NUMBER	COLOR	VOLTAGE	AMPS (mA/ft)	WATTAGE (W MAX/ft)	CCT (K)/ WAVELENGTH (nm)	LUMINOUS FLUX (lm/ft)	MAX RUN LENGTH (ft)
461272	Warm White	12 Vdcm	0.06	0.85	3300K	82	49
464272	Daylight White	12 Vdcm	0.06	0.85	4500K	73	49
469272	Pure White	12 Vdcm	0.06	0.85	6650K	82	49
463272	Amber/Yellow	12 Vdcm	0.06	0.85	595nm	6	49
466272	Blue	12 Vdcm	0.06	0.85	470nm	9	49
465272	Green	12 Vdcm	0.06	0.85	525nm	40	49
462272	Red	12 Vdcm	0.06	0.85	655nm	9	49

30/M RGB

PART NUMBER	COLOR	VOLTAGE	AMPS (mA/ft)	WATTAGE (W MAX/ft)	CCT (K)/ WAVELENGTH (nm)	LUMINOUS FLUX (lm/ft)	MAX RUN LENGTH (ft)
462254	Red	13.8 Vdcm	113	1.0	--	25	24.6
462254	Green	13.8 Vdcm	113	1.0	--	46	24.6
462254	Blue	13.8 Vdcm	113	1.0	--	14	24.6

60/M

PART NUMBER	COLOR	VOLTAGE	AMPS (mA/ft)	WATTAGE (W MAX/ft)	CCT (K)/ WAVELENGTH (nm)	LUMINOUS FLUX (lm/ft)	MAX RUN LENGTH (ft)
461273	Warm White	12 Vdcm	0.12	1.7	3300K	160	26
464273	Daylight White	12 Vdcm	0.12	1.7	4500K	152	26
469273	Pure White	12 Vdcm	0.12	1.7	6650K	134	26
463273	Amber/Yellow	12 Vdcm	0.12	1.7	595nm	12	26
466273	Blue	12 Vdcm	0.12	1.7	470nm	40	26
465273	Green	12 Vdcm	0.12	1.7	525nm	120	26
462273	Red	12 Vdcm	0.12	1.7	655nm	21	26

Vista reserves the right to modify this specification without prior notice.

60/M RGB

PART NUMBER	COLOR	VOLTAGE	AMPS (mA/ft)	WATTAGE (W MAX/ft)	CCT (K)/ WAVELENGTH (nm)	LUMINOUS FLUX (lm/ft)	MAX RUN LENGTH (ft)
462271	Red	13.8 Vdcm	226	2.0	--	50	12.1
462271	Green	13.8 Vdcm	226	2.0	--	92	12.1
462271	Blue	13.8 Vdcm	226	2.0	--	28	12.1

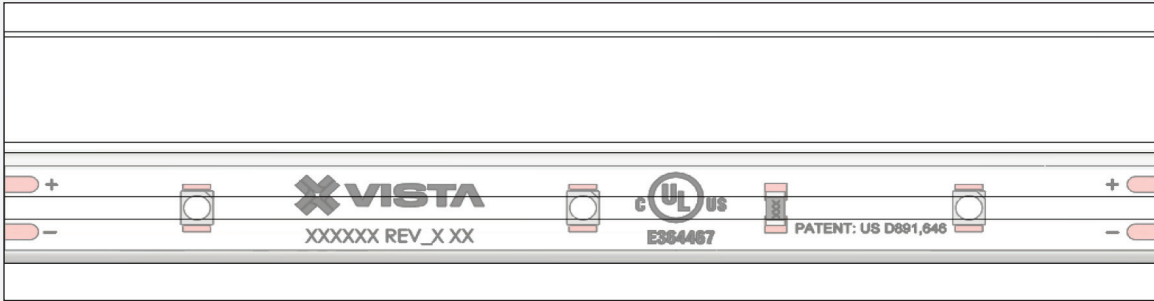
120/M

PART NUMBER	COLOR	VOLTAGE	AMPS (mA/ft)	WATTAGE (W MAX/ft)	CCT (K)/ WAVELENGTH (nm)	LUMINOUS FLUX (lm/ft)	MAX RUN LENGTH (ft)
461274	Warm White	12 Vdcm	0.24	3.4	3300K	222	13
464274	Daylight White	12 Vdcm	0.24	3.4	4500K	207	13
469274	Pure White	12 Vdcm	0.24	3.4	6650K	192	13
463274	Amber/Yellow	12 Vdcm	0.24	3.4	595nm	18	13
466274	Blue	12 Vdcm	0.24	3.4	470nm	40	13
465274	Green	12 Vdcm	0.24	3.4	525nm	122	13
462274	Red	12 Vdcm	0.24	3.4	655nm	27	13

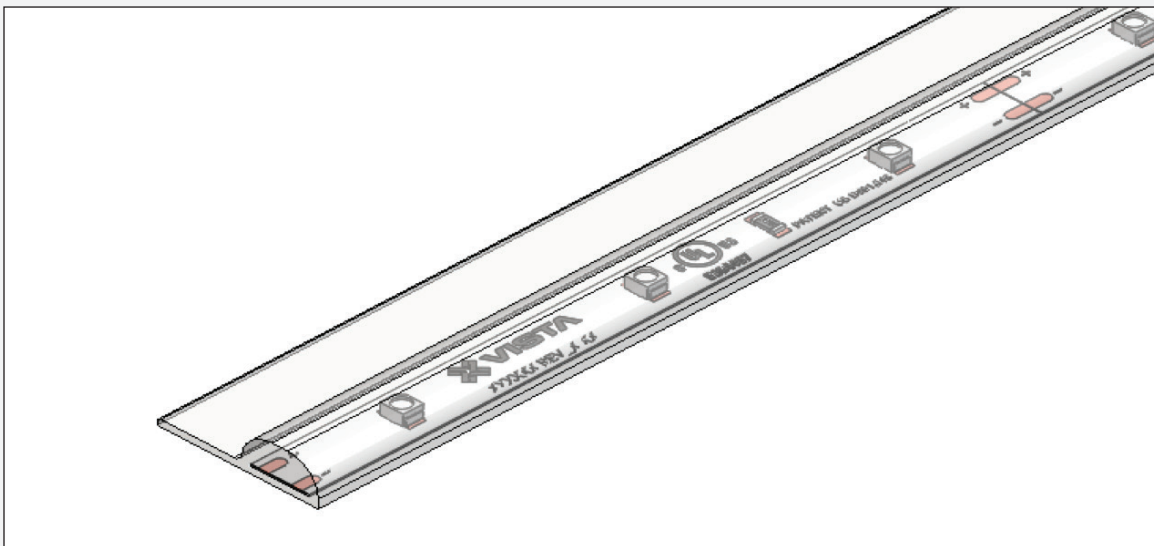
————— *Vista reserves the right to modify this specification without prior notice.* —————

DIMENSIONS

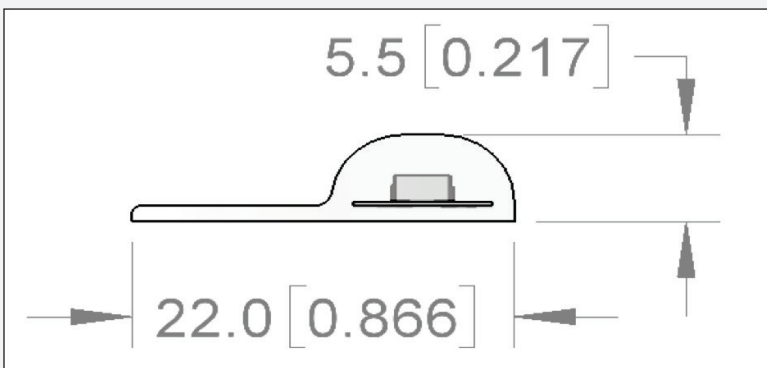
TOP VIEW



ISO VIEW



SIDE VIEW



Vista reserves the right to modify this specification without prior notice.

INSTALLATION INSTRUCTIONS

PREPARATION: Keep the following in mind:

- Verify the location for the light to be installed.
- Verify that the mounting surface is suitable for mounting.
- Acceptable fasteners: nails, sheet metal screws, self-drilling screws, staples, etc.

INSTALLATION:

1. Identify the location that you would like to mount the light.
2. Start at the end of the light that has the lead wires attached and fasten the light to the mounting surface by puncturing the center tab of the light with a fastener.

NOTE: Figure 1 highlights the acceptable mounting location.

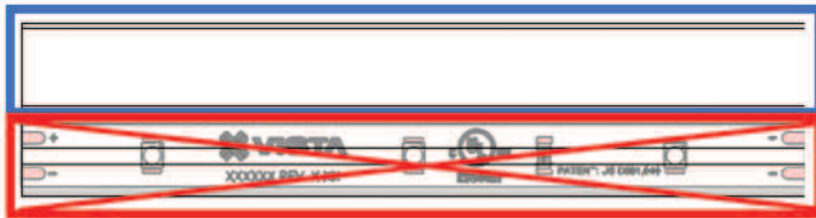


Figure 1: Acceptable mounting location (blue) and unacceptable (red)

3. Place the rest of the fasteners approximately every 6 to 8 in down the length of the product until installation is complete. See figure 2 below for an example of mounting locations.

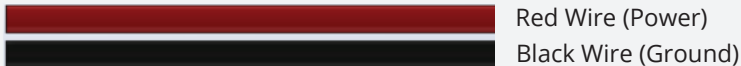


Figure 2: Example of mounting locations, shown by the blue "X"s

WIRING:

Determine the wiring configuration used on the product.

- 2 Wire Version (1 Power / 1 Ground)



Vista reserves the right to modify this specification without prior notice.

DISCONNECT POWER SOURCE (BATTERY) BEFORE STARTING ELECTRICAL WORK.

Recommended methods for splicing wires together (*parts not included in Vista product kits*):

- Solder and cover bare wires with heat shrink or electrical tape.
- Insulation-displacement connector (IDC) / insulation-piercing contact (IPC).
- Twist on wire connector, “wire nut”.
- Crimp connector, “Butt splice”.

WARNING:

1. Supply current and wattage must not exceed the rated values on the specification documents.
2. Incorrect polarity or improper wiring may cause personal injury and/or damage to the product. It is recommended that an electrical technician, professional, or similarly qualified individual finish wiring.
3. To avoid electrical shock risk, all failures should be examined by a qualified technician.
4. Environmental suitability, including but not limited to water resistance, varies based on product design. Unless explicitly noted, products are to be installed in a location shielded from outdoor elements. To avoid irreparable damage, refer to specification sheets to locate products in a proper environment.
5. Do not install products near an open flame or in high temperature environments unless the product is explicitly designed to function as such. Adversely, do not install products in excessively cold environments unless explicitly designed to function as such. Refer to product spec sheets/drawings for information about minimum and maximum operating temperatures.
6. Vista Manufacturing Inc. is not liable for any injuries or damage caused due to improper wiring or installation.

Vista reserves the right to modify this specification without prior notice.
