

CYGNUS PANEL LIGHT

- Beautiful, bright wash of light, no hot spots or harsh light output with this 8" diameter light
- Two available settings: 1000/250 lumen output
- Ultra thin profile
- Screw fasteners and gasket for secure installation
- Easy installation with industry standard 7.5" diameter hole cut out
- Specific fastener locations for the emergency industry
- IP rating- IP52
- Operating Voltage – 11V – 14VDC
- UV Compliant with ASTM G154



SPECIFICATIONS

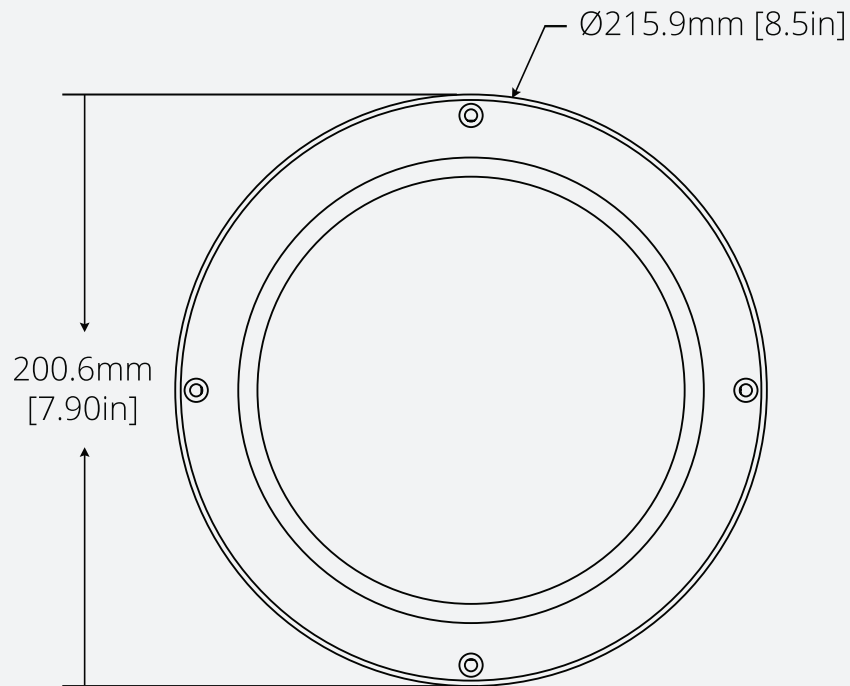
8" DIAMETER CYGNUS PANEL LIGHT SPECS

OUTPUT	PART NUMBER	BEZEL COLOR	VOLTAGE	CURRENT (mA)	WATTAGE (W MAX)	CCT (K)/ WAVELENGTH (nm)	LUMINOUS FLUX (lm)
Low	470268	White	12 Vdcm	209	14.5	5,500	270
High	470268	White	12 Vdcm	886	14.5	5,500	1,100

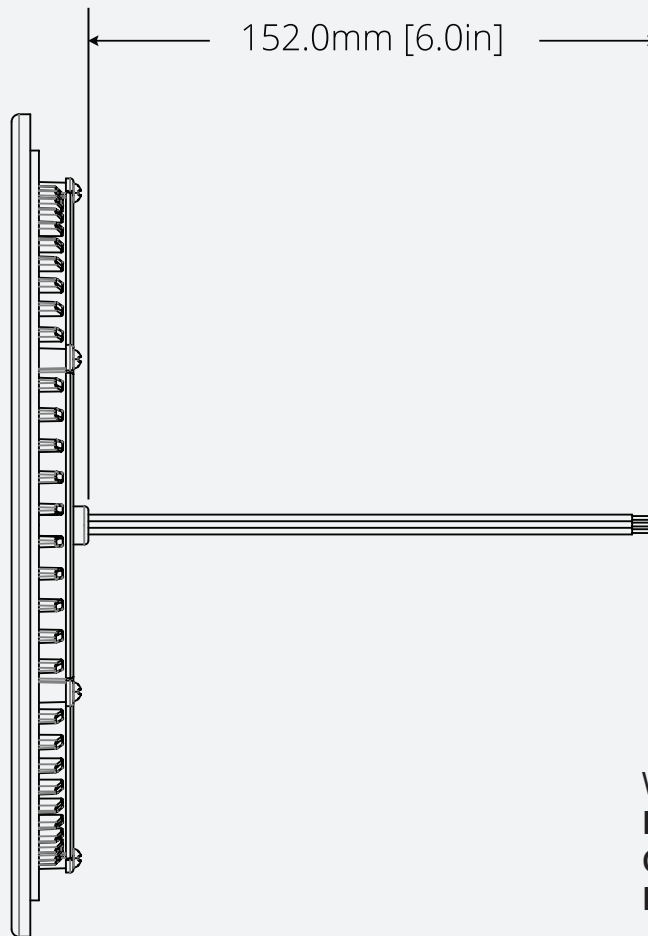
Vista reserves the right to modify this specification without prior notice.

DIMENSIONS

FRONT VIEW



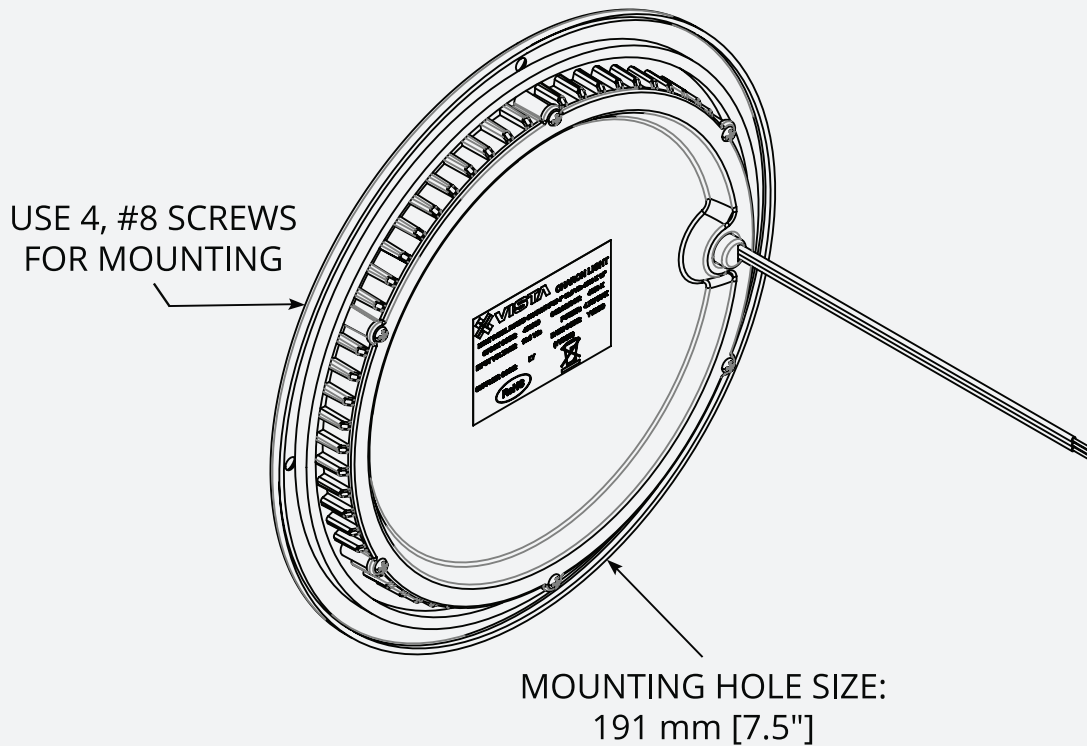
SIDE VIEW



WIRE COLOR (FUNCTION):
RED (LOW +13.8V)
GREEN (HIGH +13.8V)
BLACK (GND)

Vista reserves the right to modify this specification without prior notice.

ISO VIEW



INSTALLATION INSTRUCTIONS

PREPARATION: Keep the following in mind:

- **Disclaimer:** Drill holes at your own risk
- Verify the location for the light to be installed
- Verify that there is enough clearance for the housing of the product to fit into the intended mounting location
- Utilize a hole saw bit to cut a 7.5" hole for the product to be installed properly

WIRING:

Determine the wiring configuration used on the product

- 3 Wires – (2 Power / 1 Ground)



Red Wire (Power, LOW output)
Green Wire (Power, HIGH output)
Black Wire (Ground)

FASTENING: The Livewell lights utilize locking nuts only for mounting

1. Utilize a drill bit between the sizes of 11/16" and 3/4" to cut a hole for the product to be installed properly
2. Clean the mounting surface before installing the product
3. Remove locking nut from back side of product and insert light assembly into mounting hole
4. Install locking nut and tighten securely

Vista reserves the right to modify this specification without prior notice.

DISCONNECT POWER SOURCE (BATTERY) BEFORE STARTING ELECTRICAL WORK.

Recommended methods for splicing wires together (*parts not included in Vista product kits*):

- Solder and cover bare wires with heat shrink or electrical tape.
- Insulation-displacement connector (IDC) / insulation-piercing contact (IPC).
- Twist on wire connector, "wire nut".
- Crimp connector, "Butt splice".

WARNING:

1. Supply current and wattage must not exceed the rated values on the specification documents.
2. Incorrect polarity or improper wiring may cause personal injury and/or damage to the product. It is recommended that an electrical technician, professional, or similarly qualified individual finish wiring.
3. To avoid electrical shock risk, all failures should be examined by a qualified technician.
4. Environmental suitability, including but not limited to water resistance, varies based on product design. Unless explicitly noted, products are to be installed in a location shielded from outdoor elements. To avoid irreparable damage, refer to specification sheets to locate products in a proper environment.
5. Do not install products near an open flame or in high temperature environments unless the product is explicitly designed to function as such. Adversely, do not install products in excessively cold environments unless explicitly designed to function as such. Refer to product spec sheets/drawings for information about minimum and maximum operating temperatures.
6. Vista Manufacturing Inc. is not liable for any injuries or damage caused due to improper wiring or installation.

Vista reserves the right to modify this specification without prior notice.
