

CHARON PANEL LIGHT

- Beautiful, bright wash of light, no hot spots or harsh light output
- Available in white, warm white, blue/white, red/white, red/blue/white
- Capable of connecting and switching in series
- Robust retaining clips allow for easy installation
- 4" diameter with 2.2" frosted lens surface area
- 3.5" mounting hole size utilizing spring clips
- 1.42" wall mount depth
- Bezel color options: white and black
- IP65-sealed front and back
- Salt bath/UV tested
- Operating temperature: -20C to 42.5C



SPECIFICATIONS

TWO WIRE

COLOR OUTPUT	PART NUMBER	BEZEL COLOR	VOLTAGE	CURRENT (mA)	WATTAGE (W MAX)	CCT (K)/ WAVELENGTH (nm)	LUMINOUS FLUX (lm)
White	480300	White	12 Vdcm	236	4.2	5000 K	200
White	480590	Black	12 Vdcm	236	4.2	5000 K	200
Warm White	480304	White	12 Vdcm	246	3.7	2800 K	200
White/ Red/Blue	480303	White	12 Vdcm	190/120/110	2.9	5,000 K/ 622.5 nm/ 465 nm	317/ 37/ 20
White/ Red/Blue	480593	Black	12 Vdcm	190/120/110	2.9	5,000 K/ 622.5 nm/ 465 nm	317/ 37/ 20

Vista reserves the right to modify this specification without prior notice.

THREE WIRE

COLOR OUTPUT	PART NUMBER	BEZEL COLOR	VOLTAGE	CURRENT (mA)	WATTAGE (W MAX)	CCT (K)/ WAVELENGTH (nm)	LUMINOUS FLUX (lm)
White/Red	480301	White	12 Vdcm	236/130	4.2/2.0	5,000 K/ 622.5 nm	200/ 37
White/Red	480591	Black	12 Vdcm	236/130	4.2/2.0	5,000 K/ 622.5 nm	200/ 37
White/Blue	480302	White	12 Vdcm	236/130	4.2/2.0	5,000 K/ 465 nm	200/ 20
White/Blue	480592	Black	12 Vdcm	236/130	4.2/2.0	5,000 K/ 465 nm	200/ 20

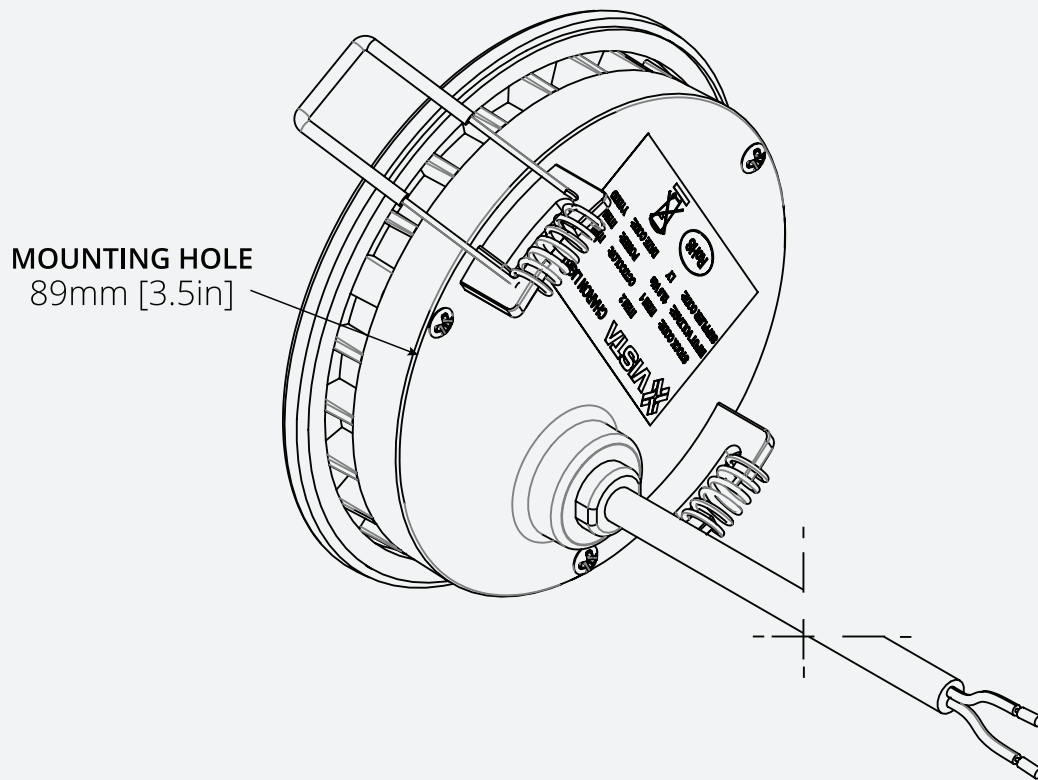
DIMENSIONS

TWO WIRE

*Wall Mount Depth

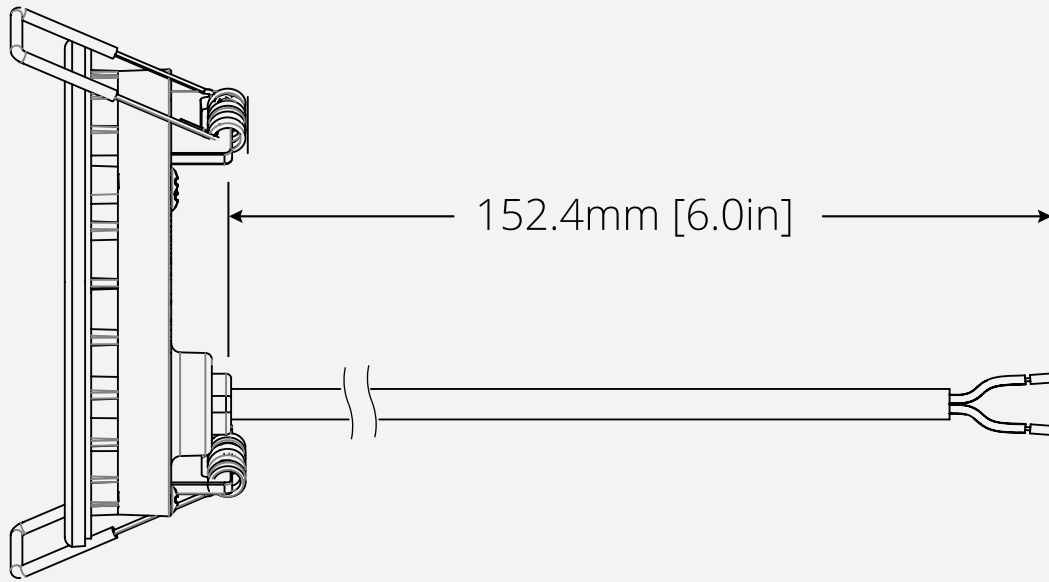
36mm [1.42in] MIN

ISO

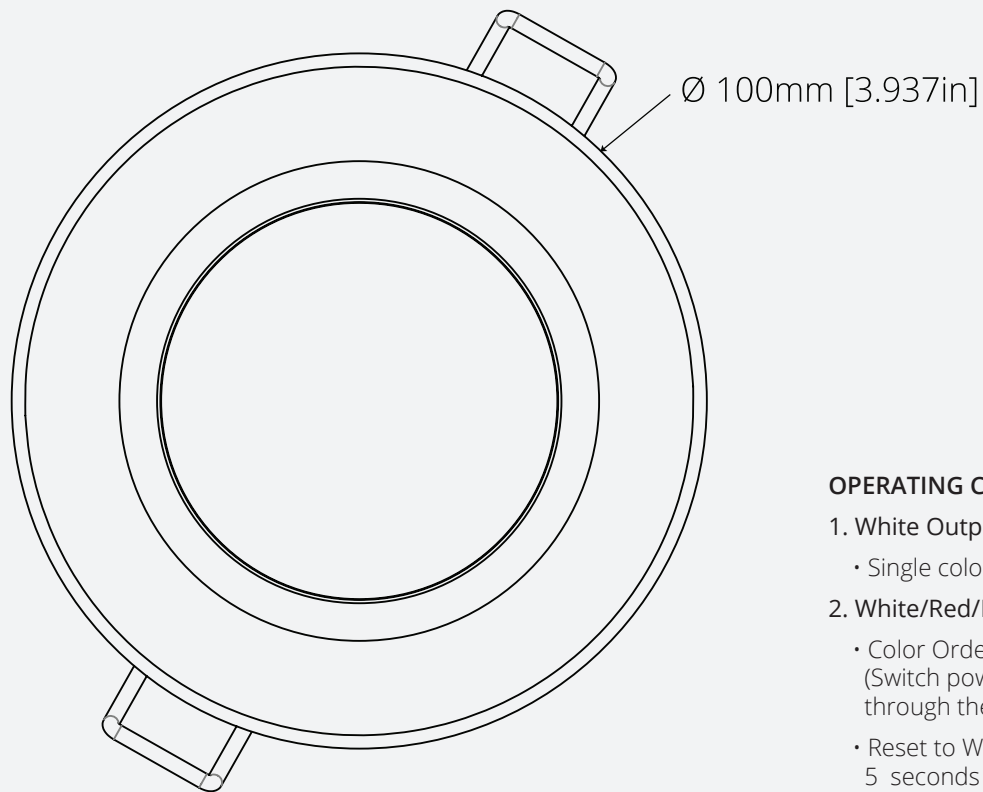


Vista reserves the right to modify this specification without prior notice.

SIDE



TOP



OPERATING CHARACTERISTICS:

1. White Output:

- Single color on/off

2. White/Red/Blue Output:

- Color Order: White, Blue, Red (Switch power on/off to cycle through the colors)
- Reset to White: Power off for 5 seconds or more

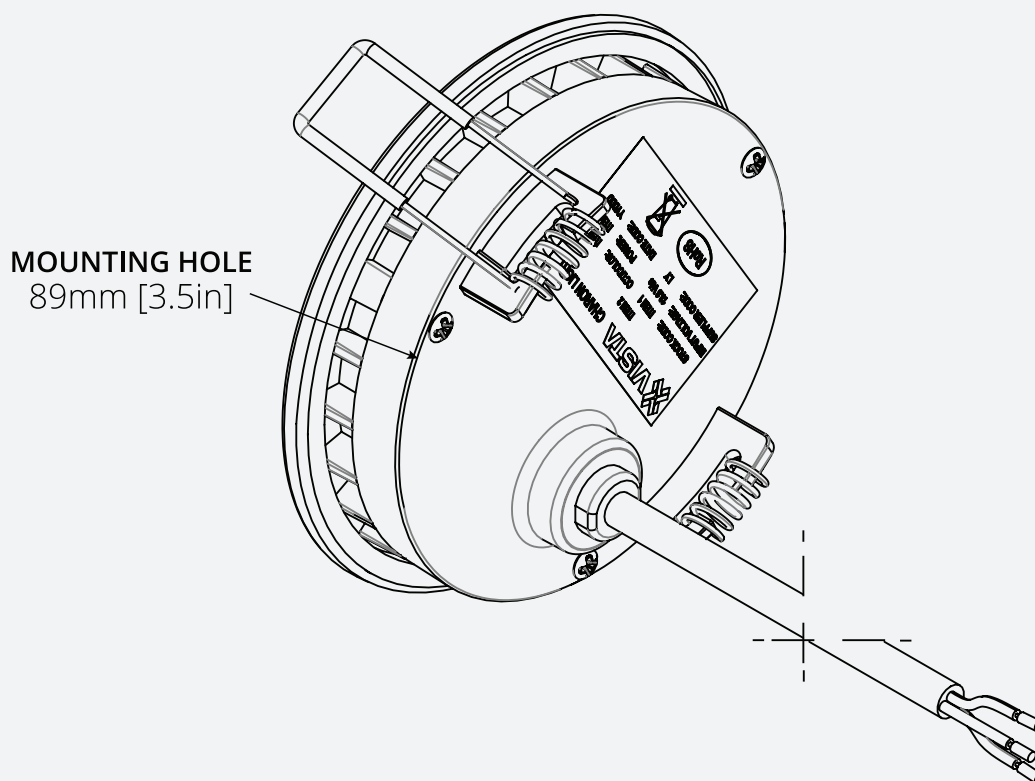
Vista reserves the right to modify this specification without prior notice.

THREE WIRE

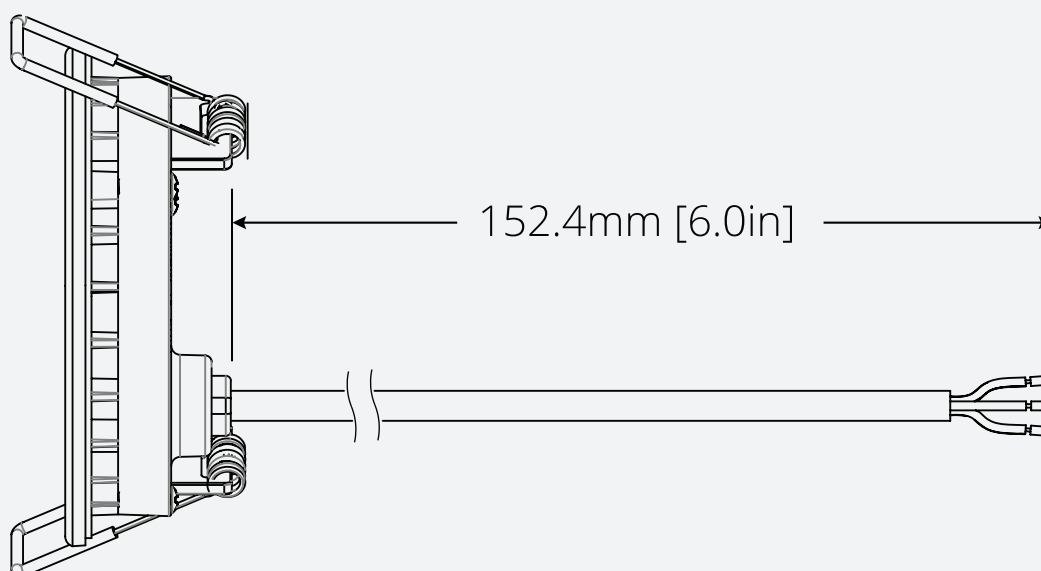
***Wall Mount Depth**

36mm [1.42in] MIN

ISO

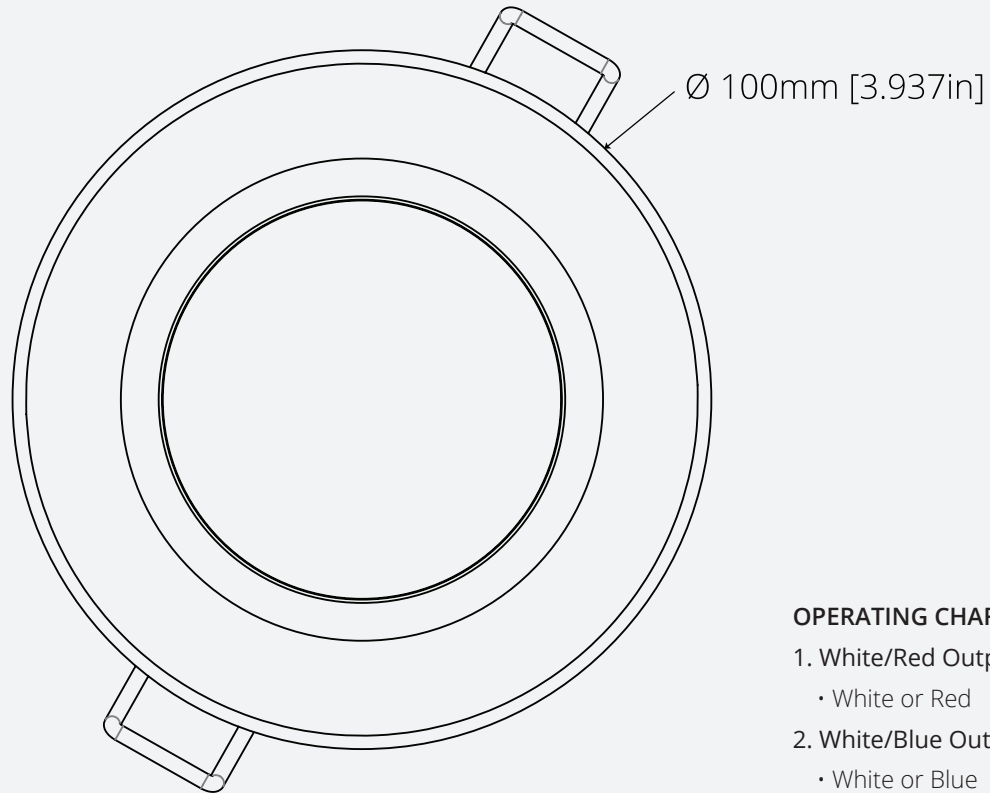


SIDE



Vista reserves the right to modify this specification without prior notice.

TOP



OPERATING CHARACTERISTICS:

1. White/Red Output:
 - White or Red
2. White/Blue Output:
 - White or Blue

INSTALLATION INSTRUCTIONS

PREPARATION: Keep the following in mind:

- **Disclaimer:** Drill holes at your own risk
- Verify the location for the light to be installed
- Verify that there is enough clearance for the housing of the product to fit into the intended mounting location
- Utilize a hole saw bit to cut a 3.5" hole for the product to be installed properly.
- Maximum recommended material thickness of 3/4"

FASTENING: The Charon lights utilize spring clips for mounting along with an adhesive backed foam gasket

1. Clean the mounting surface before installing the product
2. Peel the protective film off the 3M adhesive found on the back side of the product bezel
3. Fold back the retaining, spring clips and insert the product into the mounting hole
4. Press firmly around the bezel to ensure proper adhesion of the adhesive to the mounting surface

WIRING: Determine the wiring configuration / connector type used on the product and follow the appropriate instructions.

Vista reserves the right to modify this specification without prior notice.

Without Connectors:

2 Wire Version – (1 Power / 1 Ground)



Red Wire (Power)
Black Wire (Ground)

3 Wire Version – (1 Power / 2 Ground)

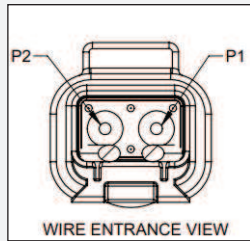


Red Wire (Power)
Green Wire (Ground, color output)
Green Wire (Ground, white output)

With Connectors / pinout information:

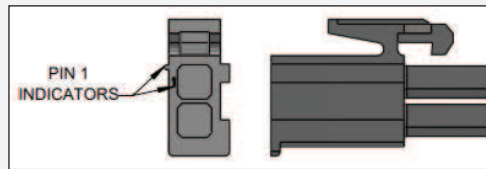
Deutsch Connector

P1 – Red Wire (Power) P2 – Black Wire (Ground)



TE Connector

P1 – Red Wire (Power) P2 – Black Wire (Ground)



Mating Deutsch Connector Information*

Connector housing: DT06-2S
Terminal: 1062-16-0622
Receptacle Wedge: W2S

Mating TE Connector Information*

Connector housing: DT06-2S
Terminal: 1062-16-0622

***Mating connector information provided for reference only, to be supplied/installed by customer.**

DISCONNECT POWER SOURCE (BATTERY) BEFORE STARTING ELECTRICAL WORK.

Recommended methods for splicing wires together (*parts not included in Vista product kits*):

- Solder and cover bare wires with heat shrink or electrical tape.
- Insulation-displacement connector (IDC) / insulation-piercing contact (IPC).
- Twist on wire connector, “wire nut”.
- Crimp connector, “Butt splice”.

WARNING:

1. Supply current and wattage must not exceed the rated values on the specification documents.
2. Incorrect polarity or improper wiring may cause personal injury and/or damage to the product. It is recommended that an electrical technician, professional, or similarly qualified individual finish wiring.
3. To avoid electrical shock risk, all failures should be examined by a qualified technician.
4. Environmental suitability, including but not limited to water resistance, varies based on product design. Unless explicitly noted, products are to be installed in a location shielded from outdoor elements. To avoid irreparable damage, refer to specification sheets to locate products in a proper environment.
5. Do not install products near an open flame or in high temperature environments unless the product is explicitly designed to function as such. Adversely, do not install products in excessively cold environments unless explicitly designed to function as such. Refer to product spec sheets/drawings for information about minimum and maximum operating temperatures.
6. Vista Manufacturing Inc. is not liable for any injuries or damage caused due to improper wiring or installation.

Vista reserves the right to modify this specification without prior notice.