

ALLURE

- Low-level LED courtesy light (1.5 inches in diameter)
- Attractive stainless or black bezel
- Easy installation (push-in or mechanical fastener)
- Custom termination available
- Available in white, blue, or RGB
- IP65
- Operating Voltage – 11V – 16VDC
- UV Compliant with ASTM G154
- Salt Spray Compliant with ASTM B117



SPECIFICATIONS

LOW PROFILE CHROME BEZEL

COLOR OUTPUT	PART NUMBER	VOLTAGE	CURRENT (mA)	WATTAGE (W MAX)	CCT (K)/ WAVELENGTH (nm)	LUMINOUS FLUX (lm)
White	470021	12	17.5	0.210	5565	7.375
Blue	470075	12	17.5	0.210	465	0.825

LOW PROFILE BLACK BEZEL

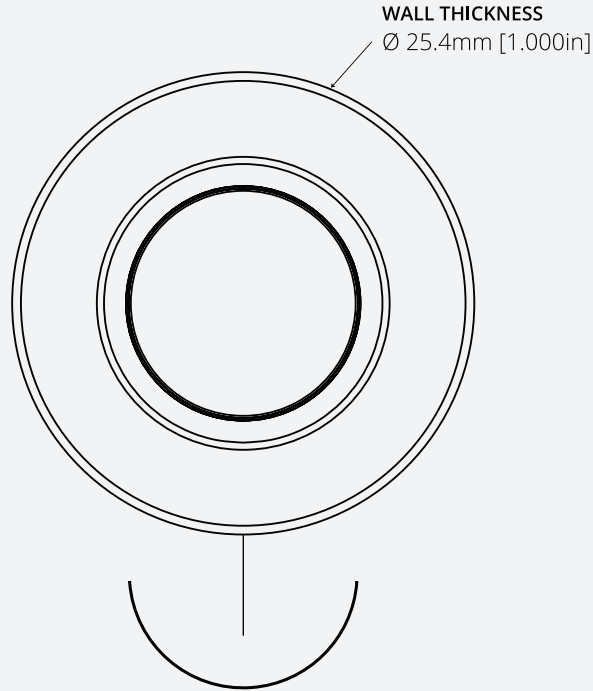
COLOR OUTPUT	PART NUMBER	VOLTAGE	CURRENT (mA)	WATTAGE (W MAX)	CCT (K)/ WAVELENGTH (nm)	LUMINOUS FLUX (lm)
White	470077	12	18.5	0.280	5700	4.75

LOW PROFILE RGB WITH CHROME BEZEL

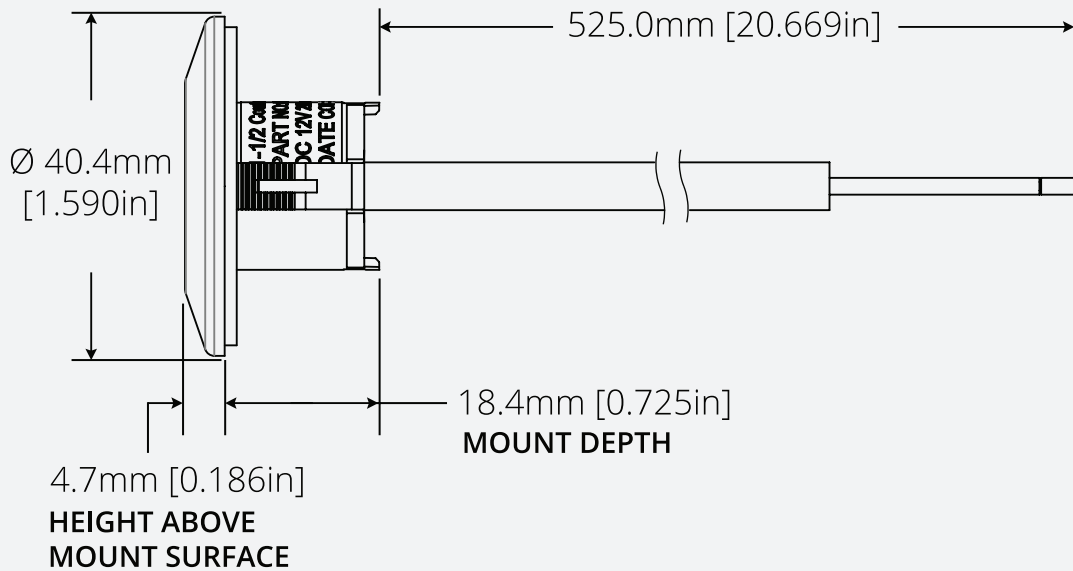
COLOR OUTPUT	PART NUMBER	VOLTAGE	CURRENT (mA)	WATTAGE (W MAX)	CCT (K)/ WAVELENGTH (nm)	LUMINOUS FLUX (lm)
Red	470112	13.8	13.1	0.7	633	0.95
Green	470112	13.8	11.8	0.7	521	2.42
Blue	470112	13.8	15.3	0.7	467	0.62

DIMENSIONS

TOP VIEW
Part #470021



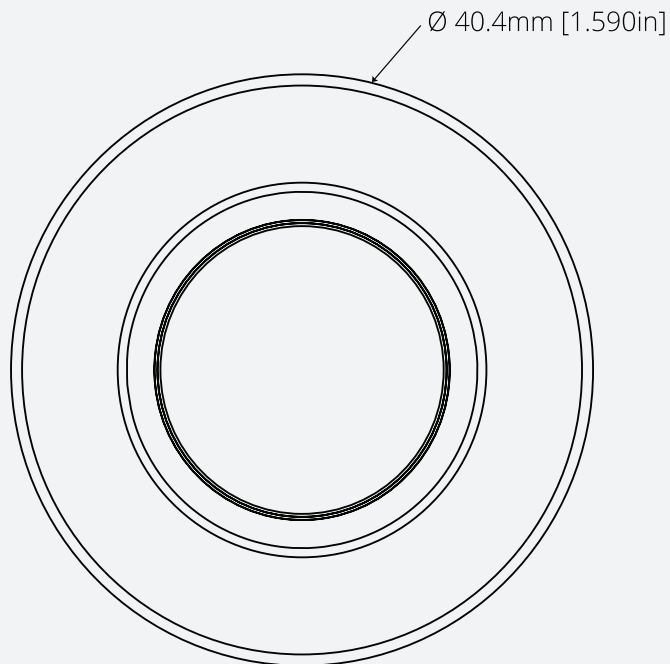
SIDE VIEW
Part #470021



Vista reserves the right to modify this specification without prior notice.

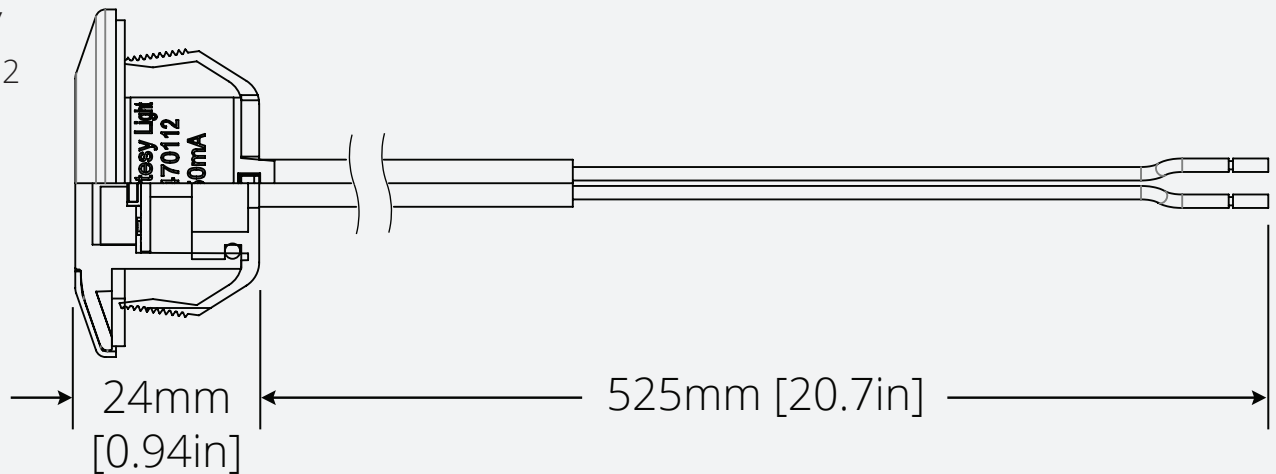
TOP VIEW

Part #470112



SIDE VIEW

Part #470112



INSTALLATION INSTRUCTIONS

PREPARATION: Keep the following in mind:

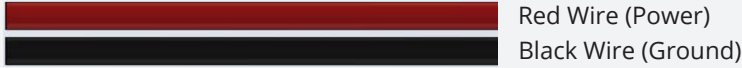
- **Disclaimer:** Drill holes at your own risk
- The tools required for this installation are dependent on the thickness of the wall the light is being installed on.
 - Wall Thickness of 1.60mm – 3.20mm: 23.8mm [0.938in] Hole Saw
 - Wall Thickness of 3.30mm – 6.35mm: 25.4mm [1.000in] Hole Saw
- Verify the location for the light to be installed. Choose a location that is distanced away from any high temperature heat source. It is suggested that intended mounting location is measured prior to installation to ensure proper fitment.
- Verify that there is a clear path for the power wires to be routed from the assembly to the power source.

Vista reserves the right to modify this specification without prior notice.

WIRING: Route wires as necessary for the application. Do not pinch or puncture wires with fasteners. Do not route wires around sharp edges. The use of a wire loom is suggested for protection if wires are to be routed through areas where they may encounter sharp edges, in an application that would experience high amounts of vibration, in areas that may have fasteners protruding into them during later assembly, or other extreme conditions.

Determine the wiring configuration used on the product.

- 2 Wire Version (1 Power / 1 Ground)



FASTENING: Allure lights utilize retainer clips for mounting. Simply press the light into any properly sized hole.

DISCONNECT POWER SOURCE (BATTERY) BEFORE STARTING ELECTRICAL WORK.

Recommended methods for splicing wires together (*parts not included in Vista product kits*):

- Solder and cover bare wires with heat shrink or electrical tape.
- Insulation-displacement connector (IDC) / insulation-piercing contact (IPC).
- Twist on wire connector, “wire nut”.
- Crimp connector, “Butt splice”.

WARNING:

1. Supply current and wattage must not exceed the rated values on the specification documents.
2. Incorrect polarity or improper wiring may cause personal injury and/or damage to the product. It is recommended that an electrical technician, professional, or similarly qualified individual finish wiring.
3. To avoid electrical shock risk, all failures should be examined by a qualified technician.
4. Environmental suitability, including but not limited to water resistance, varies based on product design. Unless explicitly noted, products are to be installed in a location shielded from outdoor elements. To avoid irreparable damage, refer to specification sheets to locate products in a proper environment.
5. Do not install products near an open flame or in high temperature environments unless the product is explicitly designed to function as such. Adversely, do not install products in excessively cold environments unless explicitly designed to function as such. Refer to product spec sheets/drawings for information about minimum and maximum operating temperatures.
6. Vista Manufacturing Inc. is not liable for any injuries or damage caused due to improper wiring or installation.

Vista reserves the right to modify this specification without prior notice.
