

BLUETOOTH ON FLEXI-TAPE

- Patent Pending app-enabled flexible RGB light strip with built-in Bluetooth control
- Easy installation with only 2 wires and 12V input needed
- IP65 and IP68 rated lighting available
- Available in lengths of 5 and 7.5 meters at 30/mt LED spacing
- Variety of mounting options - see below
- UV compliant with ASTM G155
- Salt Spray compliant with ASTM B117
- RoHS 2 compliant
- UL listed
- Operating Temp: -4° to 113°



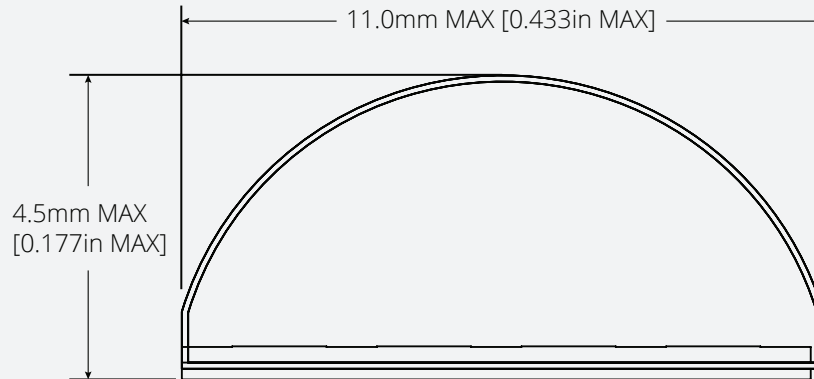
SPECIFICATIONS

RGB LIGHT	PART NUMBER	AMPS/ft
IP65 - 5MT	445195	0.06
IP65 - 7.5MT	445196	0.06
IP68 - 5MT	445215	0.06
IP68 - 7.5MT	445216	0.06

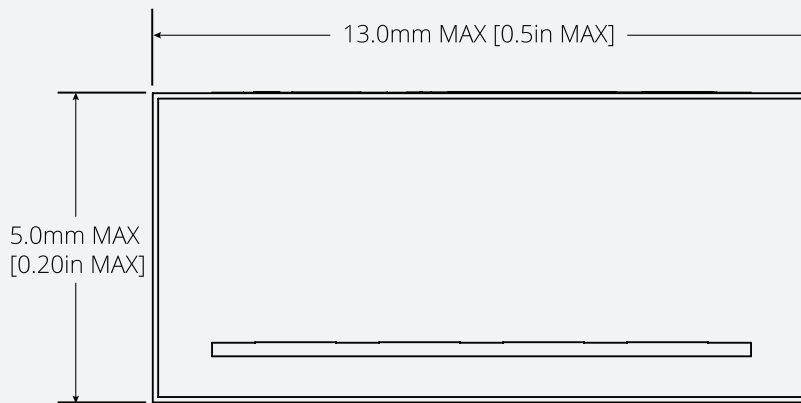
DIMENSIONS

PROFILE

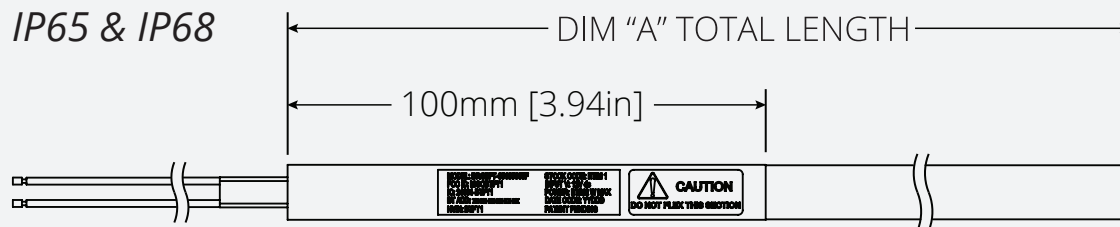
IP65



IP68

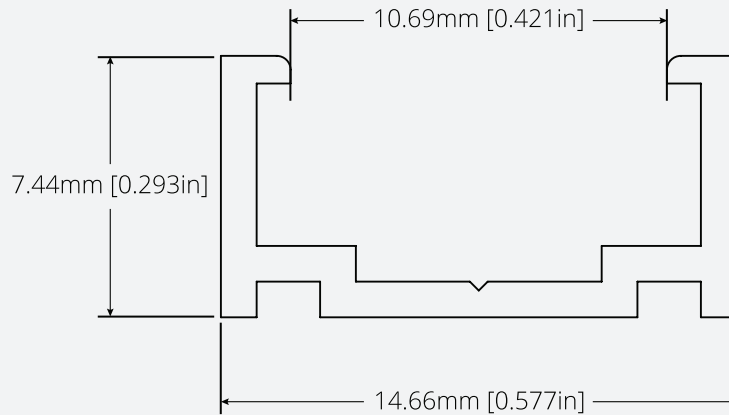


IP65 & IP68



Vista reserves the right to modify this specification without prior notice.

IP68



INSTALLATION INSTRUCTIONS

PREPARATION

Keep the following in mind:

- Verify the location for the product to be installed.
- Choose a location to minimize the possibility of being bumped into and away from excessive heat sources.

NOTE: This product uses RF communication and should not be installed in a metal enclosure or under water.

BLUETOOTH MODULE SPECIAL INSTRUCTIONS

The Bluetooth module is located at the wire lead input to the product. Please note the following:

- **CAUTION:** Do not flex the Bluetooth portion of the flexi-tape. Doing so will result in damage to the product.



Figure 1: Bluetooth Module Location – **DO NOT FLEX THIS SECTION**

- For IP65, domed profiles, remove the 5" clip used for shipping protection prior to fastening. See Figure 2.
- For IP68, rectangular profiles, DO NOT remove the 5" clip which is permanently attached to the IP68 flexi-tape with adhesive. Utilize the adhesive on the backside of this clip to mount during fastening. See Figure 2.

Vista reserves the right to modify this specification without prior notice.



Figure 2: 5" Plastic Clip (remove from IP65, DO NOT remove from IP68)

FASTENING

Prepare the mount surface in accordance with your fastener type:

- **Adhesive** – It is recommended to use an adhesive promoter in order to increase the bond strength for all types of adhesive tape (adhesive promoter not included). If an adhesive promoter is not available, prep the mount surface with isopropyl alcohol to increase bond strength and allow to dry completely prior to applying adhesive. Make sure that while mounting flexible lights, a bend radius smaller than the minimum bend radius of your selected product is not applied. Mounting flexible lights beyond the minimum bend radius will void warranty.
- **Plastic Clip** – If the clip has an adhesive backing, follow the instructions for adhesives above. Clips should be mounted on a flat surface to ensure that light extrusions will remain secure. If holes are not already pre-drilled into the clip, locate and drill the mounting holes now. It is recommended to have a mount hole at least every 9".

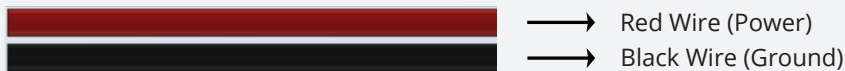
NOTE: The Bluetooth on flexi-tape product is only compatible with semi-rigid, plastic clip.

WIRING

Route wires as necessary for the application. Do not pinch or puncture wires with fasteners. Do not rout wires around sharp edges. A wire loom should be used for protection if wires are to be routed through areas where they may encounter sharp edges, in an application that would experience high amounts of vibration, in areas that may have fasteners protruding into them during later assembly, or other extreme conditions.

The Bluetooth on Flexi-tape has input wires only (no output wires required). See wire polarity information below:

- Input Wires: 2 Wires (1 Power / 1 Ground)



PAIRING TO THE VISTA CONNECT APP

1. Ensure the Bluetooth controller is properly connected to power and powered on.
2. Allow any permissions the app requests and ensure your Bluetooth is turned on in your device settings.
3. Open the Vista Connect app on your mobile device and tap on "+ Light".
4. Your Bluetooth controller should pop up in the "Select a Light" menu within a few seconds.
5. Select the Bluetooth controller in the app and follow the secure pairing prompts in the app.



TROUBLESHOOTING: If you are having difficulty pairing the Bluetooth on Flexi-tape to the Vista Connect app, please refer to the Vista Connect Troubleshooting Guide.

Vista reserves the right to modify this specification without prior notice.

DISCONNECT POWER SOURCE (BATTERY) BEFORE STARTING ELECTRICAL WORK.

Recommended methods for splicing wires together (*parts not included in Vista product kits*):

- Solder and cover bare wires with heat shrink or electrical tape.
- Insulation-displacement connector (IDC) / insulation-piercing contact (IPC).
- Twist on wire connector, “wire nut”.
- Crimp connector, “Butt splice”.

WARNING:

1. Supply current and wattage must not exceed the rated values on the specification documents.
2. Incorrect polarity or improper wiring may cause personal injury and/or damage to the product. It is recommended that an electrical technician, professional, or similarly qualified individual finish wiring.
3. To avoid electrical shock risk, all failures should be examined by a qualified technician.
4. Environmental suitability, including but not limited to water resistance, varies based on product design. Unless explicitly noted, products are to be installed in a location shielded from outdoor elements. To avoid irreparable damage, refer to specification sheets to locate products in a proper environment.
5. Do not install products near an open flame or in high temperature environments unless the product is explicitly designed to function as such. Adversely, do not install products in excessively cold environments unless explicitly designed to function as such. Refer to product spec sheets/drawings for information about minimum and maximum operating temperatures.
6. Vista Manufacturing Inc. is not liable for any injuries or damage caused due to improper wiring or installation.

Vista reserves the right to modify this specification without prior notice.
