

3" RGBW OVERHEAD LIGHT

- Sleek RGBW lighting in a compact design
- Available in a 5 wire or 2 wire design: 5 wire to work with Vista RGBW Bluetooth controller/Vista Connect App and a 2 wire with preset color sequences (see below for specs)
- Spring clips for easy installation
- IP65 rated
- Installation hole size: 2.5"
- Operating voltage: 11-16Vdc
- UV compliant to ASTM G154
- Operating Temperature: -20° to 45° C



SPECIFICATIONS

5 WIRE - 3" RGBW OVERHEAD LIGHT (4000K)

COLOR OUTPUT	PART NUMBER	VOLTAGE	CURRENT (mA)	WATTAGE (W MAX)	CCT (K)/ WAVELENGTH (nm)	LUMINOUS FLUX (lm)
White	470372	12 Vdcm	225	4.0	4000 K	190
Red	470372	12 Vdcm	75	1.4	622.5 nm	19
Green	470372	12 Vdcm	94	1.7	523 nm	51
Blue	470372	12 Vdcm	86	1.5	465 nm	13

5 WIRE - 3" RGBW OVERHEAD LIGHT (5000K)

COLOR OUTPUT	PART NUMBER	VOLTAGE	CURRENT (mA)	WATTAGE (W MAX)	CCT (K)/ WAVELENGTH (nm)	LUMINOUS FLUX (lm)
White	470353	12 Vdcm	225	4.0	5000 K	180
Red	470353	12 Vdcm	75	1.4	622.5 nm	16
Green	470353	12 Vdcm	94	1.7	523 nm	42
Blue	470353	12 Vdcm	86	1.5	465 nm	11

2 WIRE - 3" RGBW OVERHEAD LIGHT (5000K)

COLOR OUTPUT	PART NUMBER	VOLTAGE	CURRENT (mA)	WATTAGE (W MAX)	CCT (K)/ WAVELENGTH (nm)	LUMINOUS FLUX (lm)
White	470354	12 Vdcm	225	4.0	5000 K	180
Red	470354	12 Vdcm	67	1.1	622.5 nm	14
Green	470354	12 Vdcm	92	1.5	523 nm	46
Blue	470354	12 Vdcm	89	1.5	465 nm	11.5
Orange	470354	12 Vdcm	96	1.6	603nm	29
Yellow	470354	12 Vdcm	118	1.9	575nm	41
Cyan	470354	12 Vdcm	106	1.7	505nm	48
Purple	470354	12 Vdcm	124	2	430nm	20

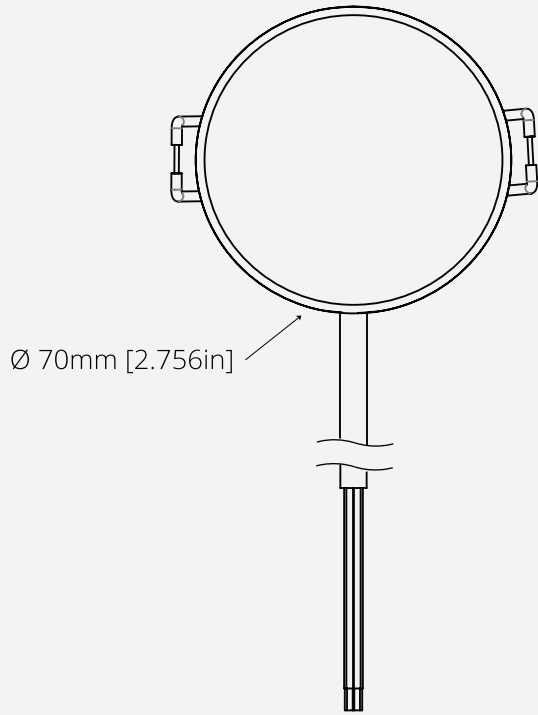
Vista reserves the right to modify this specification without prior notice.

DIMENSIONS

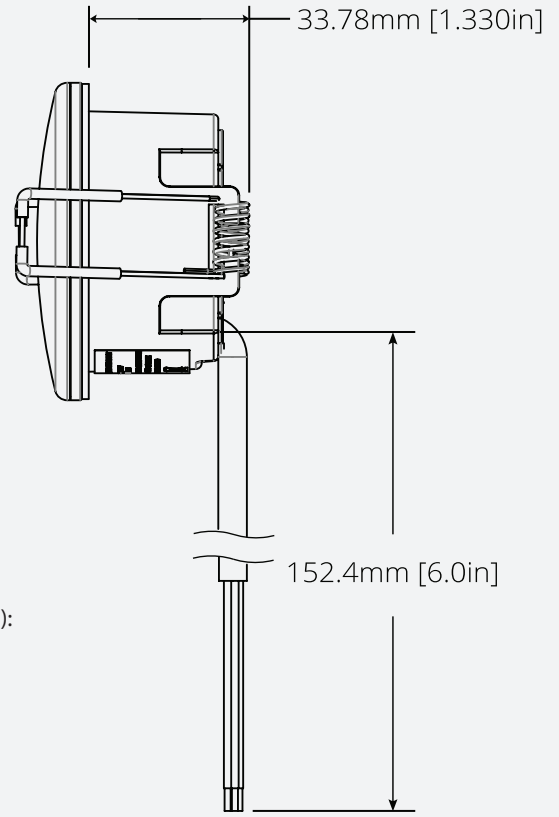
FIVE WIRE

2.5" INSTALLATION HOLE SIZE

TOP



SIDE

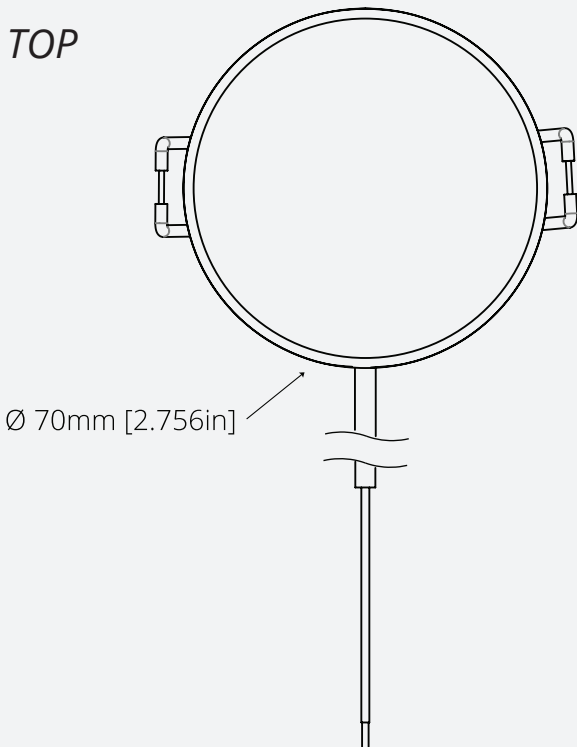


WIRE COLOR (FUNCTION):
RED (RED GND)
GREEN (GREEN GND)
BLUE (BLUE GND)
WHITE (WHITE GND)
BLACK (+12V)

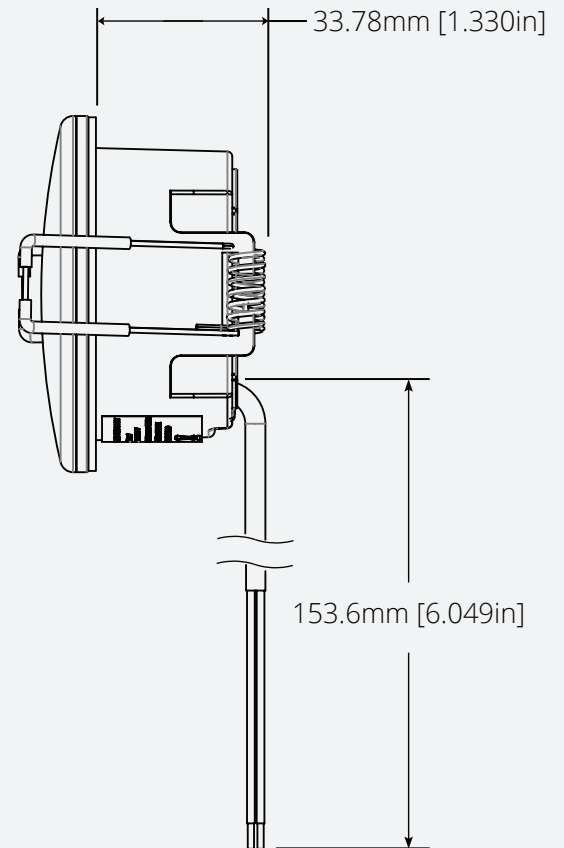
TWO WIRE

2.5" INSTALLATION HOLE SIZE

TOP



SIDE



Vista reserves the right to modify this specification without prior notice.

INSTALLATION INSTRUCTIONS

PREPARATION: Keep the following in mind:

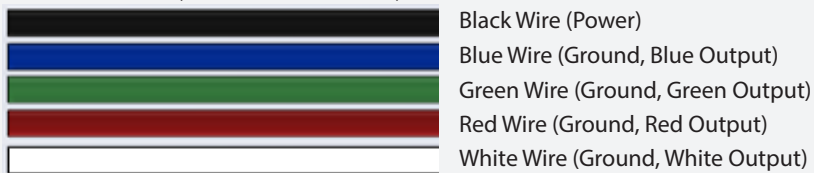
- **Disclaimer:** Drill holes at your own risk
- Verify the location for the light to be installed
- Verify that there is enough clearance for the housing of the product to fit into the intended mounting location
- Utilize a hole saw bit to cut a 2.375" to 2.5" hole for the product to be installed properly.
- Maximum recommended material thickness of 1"

WIRING: Determine the wiring configuration used on the product and follow the appropriate instructions.

- 2 Wire Version (1 Power / 1 Ground)



- 5 Wire Version (1 Power / 4 Ground)



FASTENING: The 3IN RGBW Down Lights utilize spring clips for mounting along with an adhesive backed foam gasket.

1. Clean the mounting surface before installing the product
2. Peel the protective film off the 3M adhesive found on the back side of the product bezel
3. Fold back the retaining, spring clips and insert the product into the mounting hole
4. Press firmly around the bezel to ensure proper adhesion of the adhesive to the mounting surface

DISCONNECT POWER SOURCE (BATTERY) BEFORE STARTING ELECTRICAL WORK.

Recommended methods for splicing wires together (*parts not included in Vista product kits*):

- Solder and cover bare wires with heat shrink or electrical tape.
- Insulation-displacement connector (IDC) / insulation-piercing contact (IPC).
- Twist on wire connector, "wire nut".
- Crimp connector, "Butt splice".

WARNING:

1. Supply current and wattage must not exceed the rated values on the specification documents.
2. Incorrect polarity or improper wiring may cause personal injury and/or damage to the product. It is recommended that an electrical technician, professional, or similarly qualified individual finish wiring.
3. To avoid electrical shock risk, all failures should be examined by a qualified technician.
4. Environmental suitability, including but not limited to water resistance, varies based on product design. Unless explicitly noted, products are to be installed in a location shielded from outdoor elements. To avoid irreparable damage, refer to specification sheets to locate products in a proper environment.
5. Do not install products near an open flame or in high temperature environments unless the product is explicitly designed to function as such. Adversely, do not install products in excessively cold environments unless explicitly designed to function as such. Refer to product spec sheets/drawings for information about minimum and maximum operating temperatures.
6. Vista Manufacturing Inc. is not liable for any injuries or damage caused due to improper wiring or installation.

Vista reserves the right to modify this specification without prior notice.