

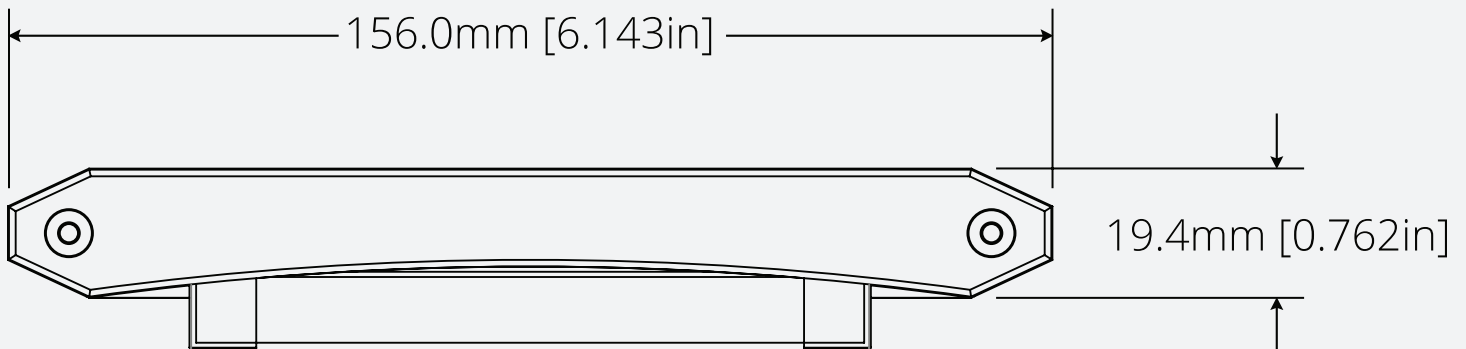
# CORDELIA

- Accent and low lighting where safety is a concern
- Operating voltage: 11V-14Vdc
- Available in three finishes: chrome, satin chrome and black
- Multiple led densities available: 30, 60 and 120 per meter
- 3528 LED available in 30, 60 and 120 per meter spacing
- 5050 LED available in 30 and 60 per meter spacing
- Operating Temp - -25 to 45° C
- 6.5" long with two piece snap feature

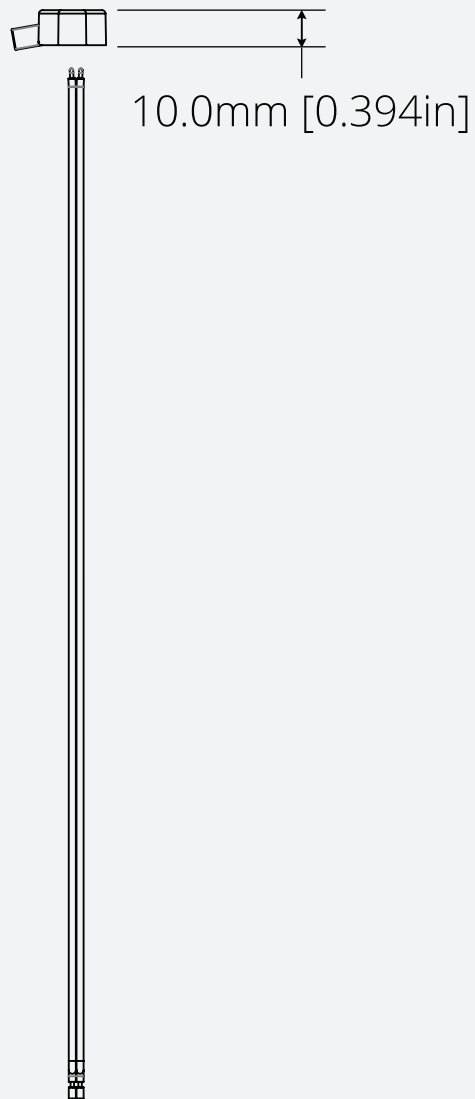


## DIMENSIONS

### TOP VIEW



*SIDE VIEW*



**NOTE:** When requesting light to ship in housing, please inform us which side you want the lead to be on.

*Vista reserves the right to modify this specification without prior notice.*

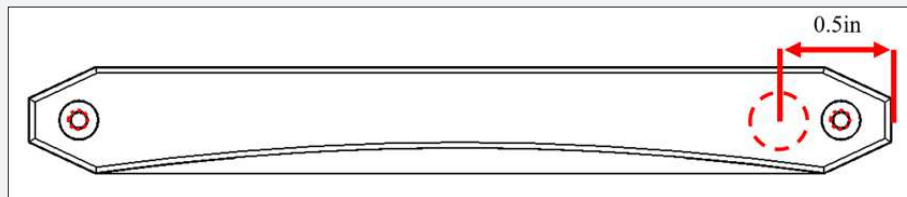
# INSTALLATION INSTRUCTIONS

**PREPARATION:** You will need the following items prior to starting the installation process:

- Power Drill
- 1/16in drill bit
- 1/2in drill bit
- Phillips head bit
- Level
- Pencil

## INSTALLATION:

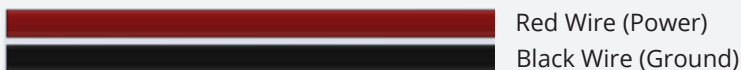
1. Identify the location that you would like to mount the light.
2. From the edge of the light assembly, make a mark roughly 0.5in inward from the edge of the light assembly, see Figure 1.
3. Drill a hole with the 1/2in drill bit at the location marked in step 2.
4. Feed wires through the hole drilled in step 3.
5. Place the light assembly (housing and light strip) against the mounting surface.
6. Slide the assembly towards the end with the lead wires so that there is material to drill in to for both mounting holes.
7. Place the level on top of the assembly to ensure a level installation.
8. With your pencil, mark the mounting holes on either end of the assembly, see Figure 1, and remove the assembly from the mounting surface.
9. Drill a 1/16in pilot hole at the locations marked in step 8.
10. Place the light back against the wall and, with the Phillips head bit, install the screws into the pilot holes.



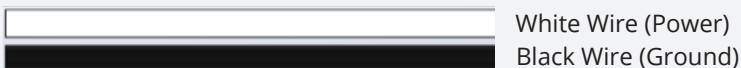
**Figure 1:** Example of Drilled Hole Locations

**WIRING:** Determine the wiring configuration used on the product.

- 2 Wire Version (1 Power / 1 Ground)



- 2 Wire Version (1 Power / 1 Ground)



- 3 Wire Version (1 Power / 2 Ground)



*Vista reserves the right to modify this specification without prior notice.*

**DISCONNECT POWER SOURCE (BATTERY) BEFORE STARTING ELECTRICAL WORK.**

Recommended methods for splicing wires together (*parts not included in Vista product kits*):

- Solder and cover bare wires with heat shrink or electrical tape.
- Insulation-displacement connector (IDC) / insulation-piercing contact (IPC).
- Twist on wire connector, “wire nut”.
- Crimp connector, “Butt splice”.

**WARNING:**

1. Supply current and wattage must not exceed the rated values on the specification documents.
2. Incorrect polarity or improper wiring may cause personal injury and/or damage to the product. It is recommended that an electrical technician, professional, or similarly qualified individual finish wiring.
3. To avoid electrical shock risk, all failures should be examined by a qualified technician.
4. Environmental suitability, including but not limited to water resistance, varies based on product design. Unless explicitly noted, products are to be installed in a location shielded from outdoor elements. To avoid irreparable damage, refer to specification sheets to locate products in a proper environment.
5. Do not install products near an open flame or in high temperature environments unless the product is explicitly designed to function as such. Adversely, do not install products in excessively cold environments unless explicitly designed to function as such. Refer to product spec sheets/drawings for information about minimum and maximum operating temperatures.
6. Vista Manufacturing Inc. is not liable for any injuries or damage caused due to improper wiring or installation.

---

*Vista reserves the right to modify this specification without prior notice.*

---