

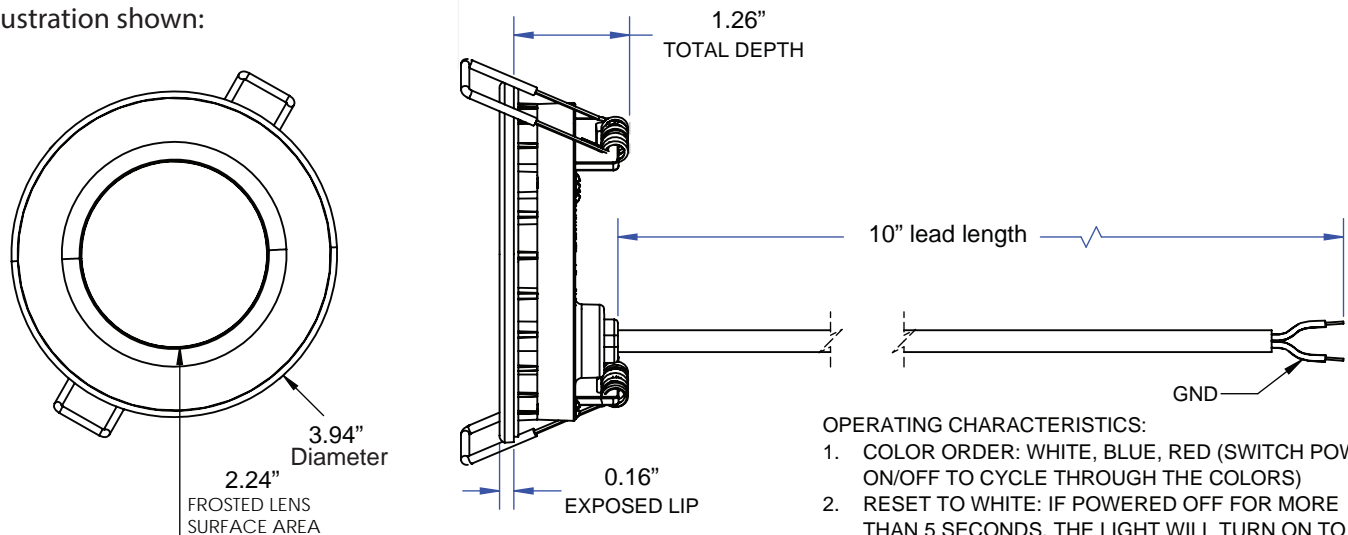
# Charon Panel Light

- Beautiful, bright wash of light, no hot spots
- Available in white, warm white, blue/white, red/white, red/blue/white
- Capable of connecting and switching in series
- Robust retaining clips allow for easy installation
- 4" diameter with 2.2" frosted lens surface area
- 3.5" mounting hole size
- Bezel color options: white, chrome, and black
- IP65 - sealed front and back
- Salt bath / UV tested
- Operating temperature: -20 to 42.5 °C



PART #	COLOR	OPERATING VOLTAGE	DRIVE CURRENT	POWER	CCT WAVELENGTH	LUMENS
480300	White	11-16.5V dc	26-36mA	4.95W MAX	4900-5500K	203-275
480301	White/Red	11-16.5V dc	W: 26-36 mA R: 11-15 mA	W: 4.87W MAX R: 2.01W MAX	W: 4900-5500K R: 631nm	W: 200-271 R: 32-43
480302	White/Blue	11-16.5V dc	W: 26-36 mA B: 11-15 mA	W: 4.95W MAX B: 2.04W MAX	W: 4900-5500K B: 459nm	W: 203-275 B: 19-25
480303	White Blue Red	11-16.5V dc	W:16-22 mA B: 9-13 mA R:10-14 mA	W: 3.10W MAX B: 1.87W MAX R: 1.97W MAX	W: 4900-5500K B: 459nm R: 625nm	W: 142-192 B: 17-23 R: 33-40

Two wire illustration shown:



- OPERATING CHARACTERISTICS:
1. COLOR ORDER: WHITE, BLUE, RED (SWITCH POWER ON/OFF TO CYCLE THROUGH THE COLORS)
  2. RESET TO WHITE: IF POWERED OFF FOR MORE THAN 5 SECONDS, THE LIGHT WILL TURN ON TO THE WHITE COLOR