

PARHELIC

- Available in two versions: single and double with integrated on/off switch
- Operating Voltage – 11V-14Vdc
- Operating Temperature: -4°F to 113°F
- IP Rating – IP40



SPECIFICATIONS

LIGHT MODULE SINGLE PARHELIC W/ SPOT CLEAR 8 SPECS

COLOR OUTPUT	PART NUMBER	VOLTAGE	CURRENT (mA)	WATTAGE (W MAX)	CCT (K)/ WAVELENGTH (nm)	LUMINOUS FLUX (lm)
White	470083	12	148	2	4000	200

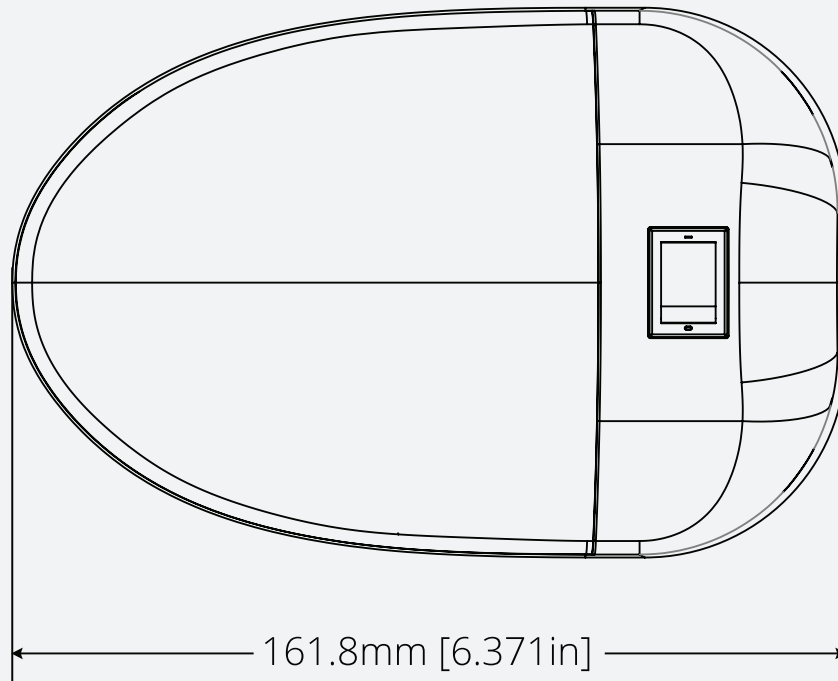
LIGHT MODULE DOUBLE PARHELIC W/ SPOT CLEAR SPECS

COLOR OUTPUT	PART NUMBER	VOLTAGE	CURRENT (mA)	WATTAGE (W MAX)	CCT (K)/ WAVELENGTH (nm)	LUMINOUS FLUX (lm)
White	470085	12	333	4.5	4000	400

DIMENSIONS

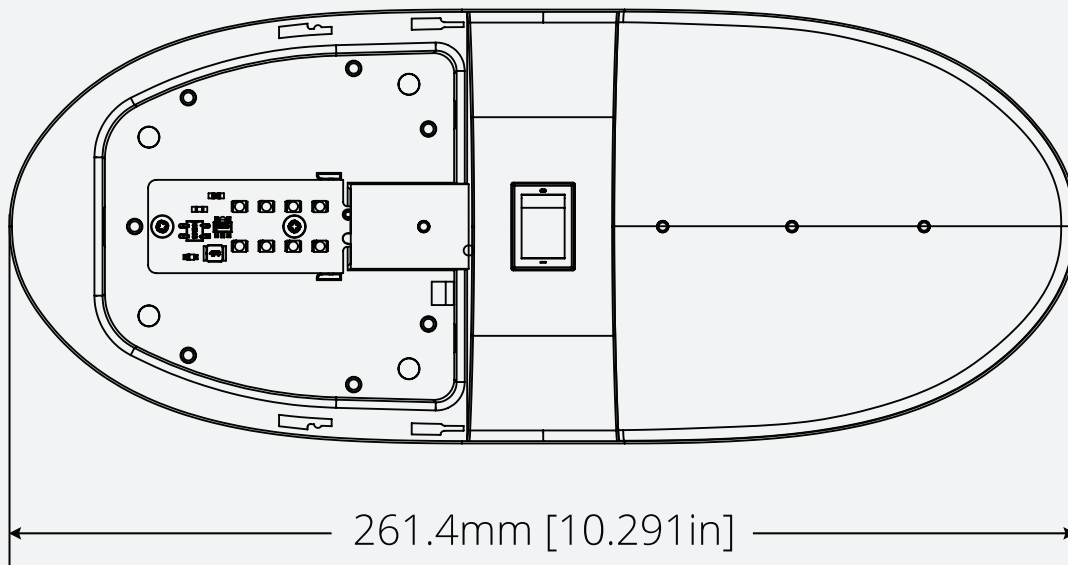
TOP VIEW

Part #470083



TOP VIEW

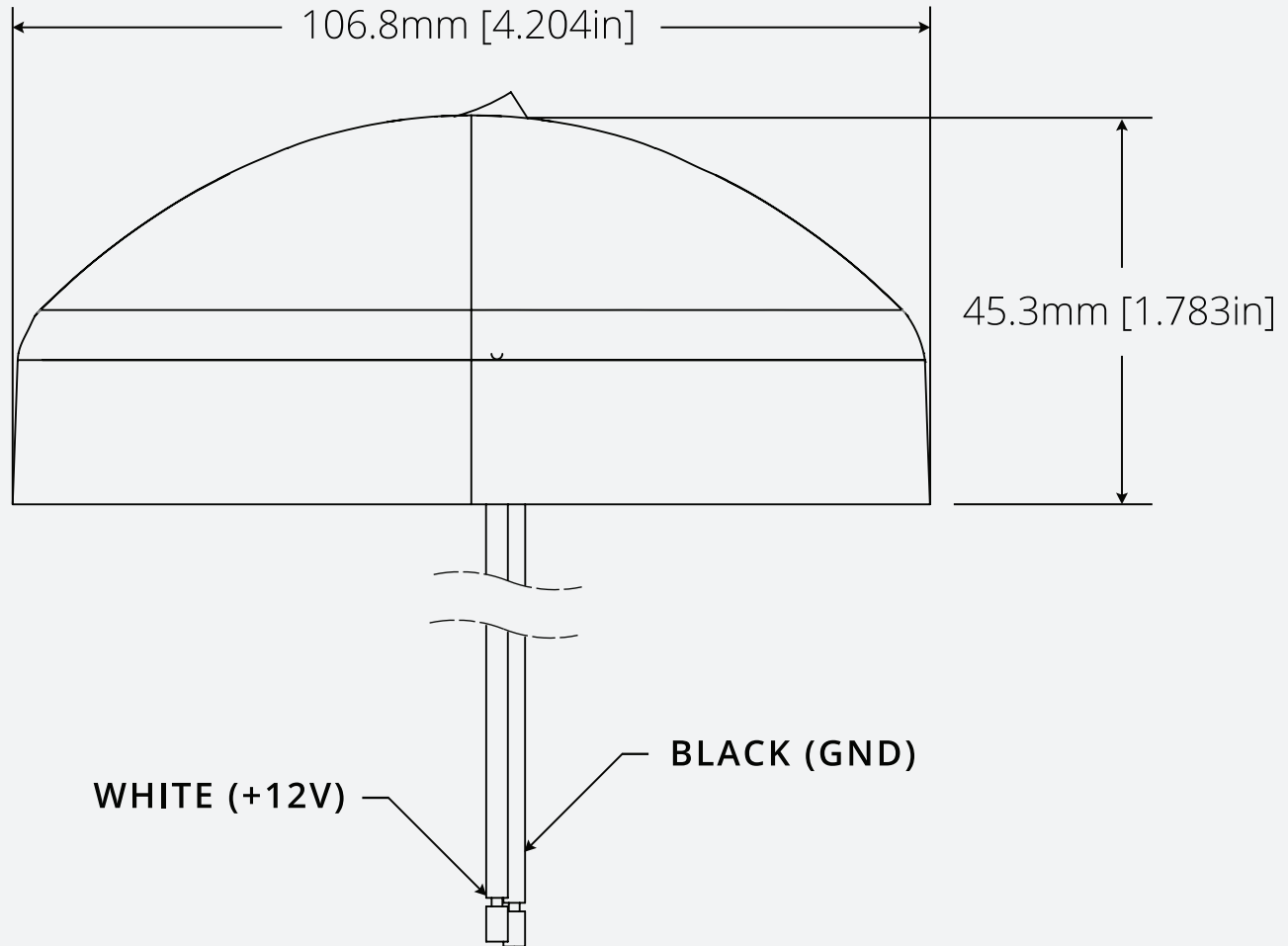
Part #470085



Vista reserves the right to modify this specification without prior notice.

SIDE VIEW (APPLIES TO BOTH)

Part #470083 & #470085



INSTALLATION INSTRUCTIONS

PREPARATION: Keep the following in mind:

- Disclaimer: Drill holes at your own risk
- Gather the required tools for this installation: Philips screwdriver, Drill with a 1/8" drill bit (optional)
- Verify the location for the light to be installed. Choose a location that minimizes the possibility of the light being disturbed (ie. bumped into) and that the location is distanced away from any high temperature heat source. It is suggested that the light is physically placed in the intended mounting location to ensure proper fitment.
- Verify that there is a clear path for the power wires to be routed from the assembly to the power source.
- Expose the mounting holes by removing the lens prior to installation. The lens can be removed by sliding it in the direction away from the toggle switch. It may be necessary to use a prying device (Figure 1).

Vista reserves the right to modify this specification without prior notice.

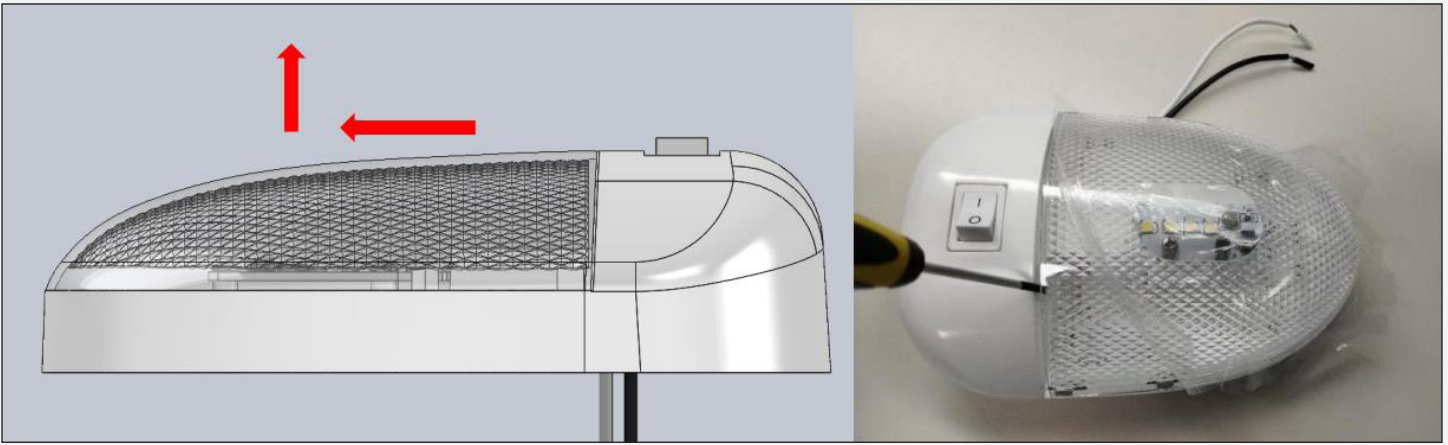


Figure 1: Removal of Lens

FASTENING:

1. With the light positioned in its desired installation location, use the provided screws to mount the light to the mounting surface. If necessary, drill 1/8" pilot holes before securely fastening (Figure 2).

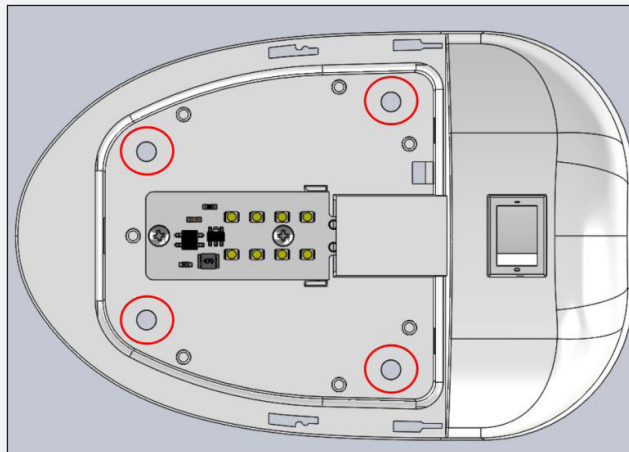


Figure 2: Mountin Hole Locations

2. Place lens back onto the light fixture. Ensure the tabs are aligned and push inward to the switch (Figure 3).

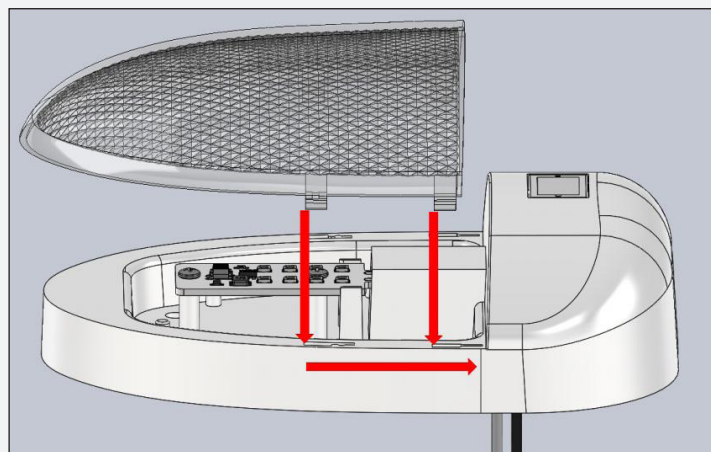


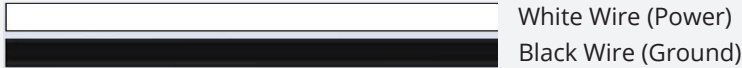
Figure 3: Replacing Lens Back onto Fixture

Vista reserves the right to modify this specification without prior notice.

WIRING: Route wires as necessary for the application. Do not pinch or puncture wires with fasteners. Do not route wires around sharp edges. The use of a wire loom is suggested for protection if wires are to be routed through areas where they may encounter sharp edges, in an application that would experience high amounts of vibration, in areas that may have fasteners protruding into them during later assembly, or other extreme conditions.

Determine the wiring configuration used on the product.

- 2 Wire Version (1 Power / 1 Ground)



DISCONNECT POWER SOURCE (BATTERY) BEFORE STARTING ELECTRICAL WORK.

Recommended methods for splicing wires together (*parts not included in Vista product kits*):

- Solder and cover bare wires with heat shrink or electrical tape.
- Insulation-displacement connector (IDC) / insulation-piercing contact (IPC).
- Twist on wire connector, “wire nut”.
- Crimp connector, “Butt splice”.

WARNING:

1. Supply current and wattage must not exceed the rated values on the specification documents.
2. Incorrect polarity or improper wiring may cause personal injury and/or damage to the product. It is recommended that an electrical technician, professional, or similarly qualified individual finish wiring.
3. To avoid electrical shock risk, all failures should be examined by a qualified technician.
4. Environmental suitability, including but not limited to water resistance, varies based on product design. Unless explicitly noted, products are to be installed in a location shielded from outdoor elements. To avoid irreparable damage, refer to specification sheets to locate products in a proper environment.
5. Do not install products near an open flame or in high temperature environments unless the product is explicitly designed to function as such. Adversely, do not install products in excessively cold environments unless explicitly designed to function as such. Refer to product spec sheets/drawings for information about minimum and maximum operating temperatures.
6. Vista Manufacturing Inc. is not liable for any injuries or damage caused due to improper wiring or installation.

Vista reserves the right to modify this specification without prior notice.
