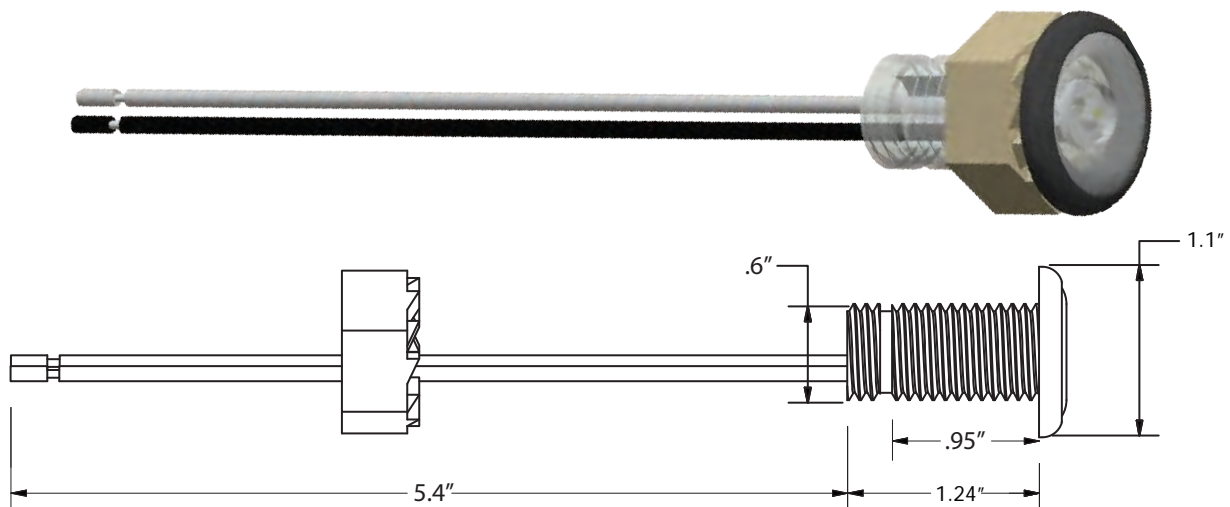


Livewell Light

- Ideal for use in live wells or other courtesy light areas
- Easy installation with locking nut
- Available colors: blue and white
- Long life - 50,000+ hours
- Operating voltage
- Designed to mount in material up to 3/4" thick
- Thread area is easily adjustable by 1/4"
- Attractive low profile with "soft" edge

Product Details:			
Diameter	.63"	CCT	White (5700K) / blue
Depth	1.24"	IP rating	IP67
Number of leds	1 (3528)	Wire size	22 AWG
*Current draw	15mA	Operating Voltage	10.8 - 13.8V
Cutout diameter	.7"- .9"	Lumen output	5 lm



#440931