

AURORA

- LED lighting with a traditional architectural look
- Beautiful, even wash of light with no hotspots
- Easy installation
- Long life span (50,000 hours)
- Available in 2 sizes:
 - 5W – 150lumens – 2.5" hole mounting size
 - 8W – 300lumens – 3.5" hole mounting size
- Low profile
- Operating voltage: 12 volts
- Operating Temp: -20 to 45°C
- IP40 rating
- ROHS Compliant
- UL listed



SPECIFICATIONS

3" DIAMETER AURORA LIGHT SPECS

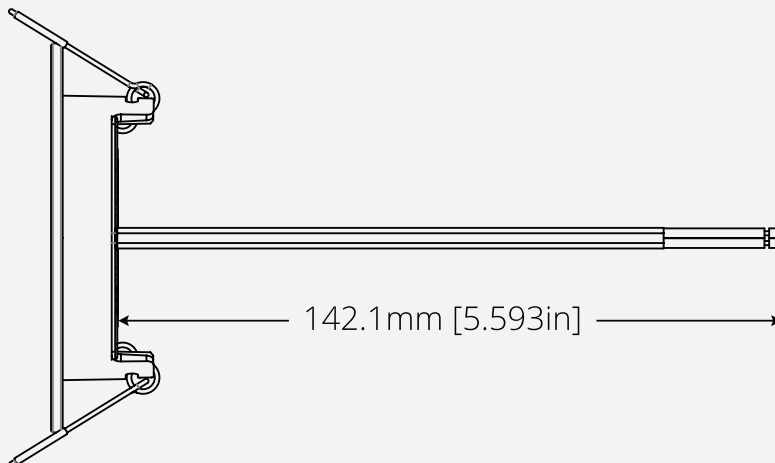
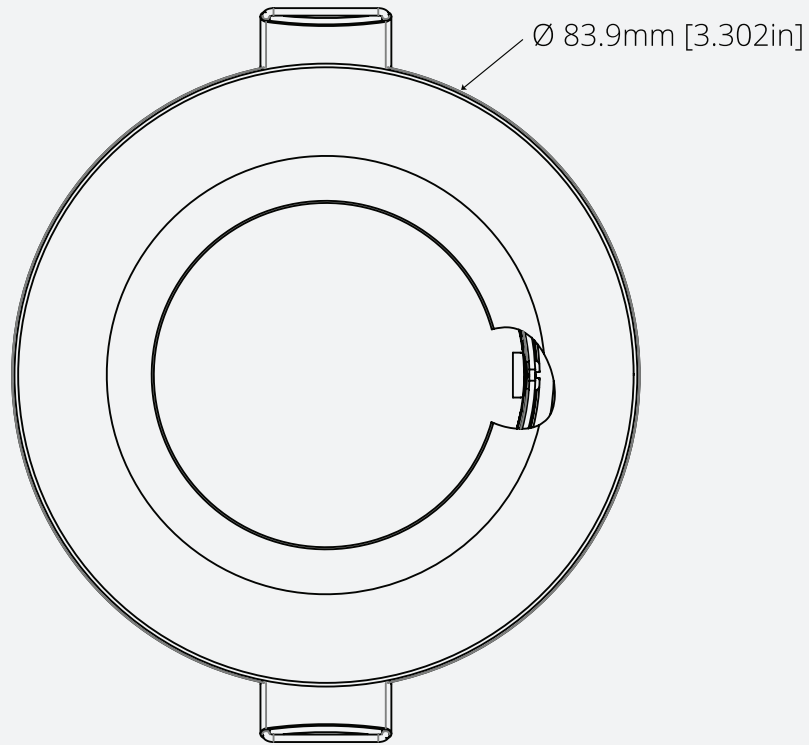
PART NUMBER	BEZEL COLOR	VOLTAGE	CURRENT (mA)	WATTAGE (W MAX)	CCT (K)/ WAVELENGTH (nm)	LUMINOUS FLUX (lm)
470162	White	12 Vdcm	223	5	2950 K	150
470164	White	12 Vdcm	223	5	3900 K	150

4" DIAMETER AURORA LIGHT SPECS

PART NUMBER	BEZEL COLOR	VOLTAGE	CURRENT (mA)	WATTAGE (W MAX)	CCT (K)/ WAVELENGTH (nm)	LUMINOUS FLUX (lm)
470161	White	12 Vdcm	365	8	2950 K	265
470163	White	12 Vdcm	365	8	3900 K	265

DIMENSIONS
3" DIAMETER

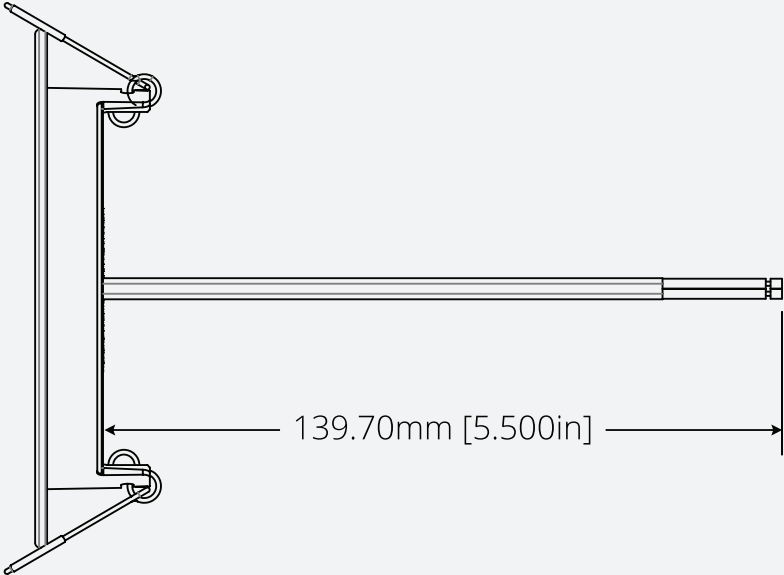
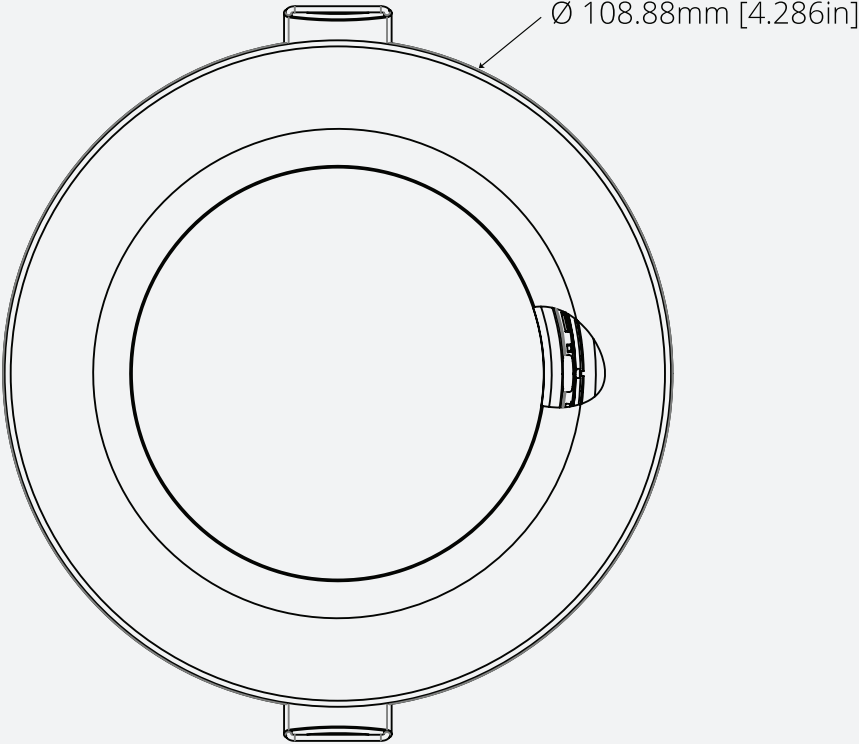
Ø 2.5" MOUNT HOLE SIZE



Vista reserves the right to modify this specification without prior notice.

4" DIAMETER

Ø 3.5" MOUNT HOLE SIZE



Vista reserves the right to modify this specification without prior notice.

INSTALLATION INSTRUCTIONS

PREPARATION: Keep the following in mind:

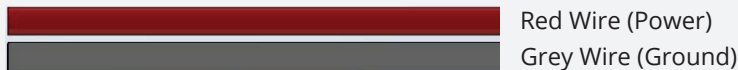
- **Disclaimer:** Drill holes at your own risk
- Verify the location for the light to be installed
- Verify that there is enough clearance for the housing of the product to fit into the intended mounting location
- Maximum recommended material thickness of ½"

Determine the appropriate hole size based on the overall diameter of the product

- For 3" diameter assemblies, utilize a 2.5" mounting hole
- For 4" diameter assemblies, utilize a 3.5" mounting hole

WIRING: Determine the wiring configuration used on the product

- 2 Wire Version (1 Power / 1 Ground)



FASTENING: The Aurora lights utilize spring clips only for mounting

1. Clean the mounting surface before installing the product
2. Fold back the retaining, spring clips and insert the product into the mounting hole

DISCONNECT POWER SOURCE (BATTERY) BEFORE STARTING ELECTRICAL WORK.

Recommended methods for splicing wires together (*parts not included in Vista product kits*):

- Solder and cover bare wires with heat shrink or electrical tape.
- Insulation-displacement connector (IDC) / insulation-piercing contact (IPC).
- Twist on wire connector, "wire nut".
- Crimp connector, "Butt splice".

WARNING:

1. Supply current and wattage must not exceed the rated values on the specification documents.
2. Incorrect polarity or improper wiring may cause personal injury and/or damage to the product. It is recommended that an electrical technician, professional, or similarly qualified individual finish wiring.
3. To avoid electrical shock risk, all failures should be examined by a qualified technician.
4. Environmental suitability, including but not limited to water resistance, varies based on product design. Unless explicitly noted, products are to be installed in a location shielded from outdoor elements. To avoid irreparable damage, refer to specification sheets to locate products in a proper environment.
5. Do not install products near an open flame or in high temperature environments unless the product is explicitly designed to function as such. Adversely, do not install products in excessively cold environments unless explicitly designed to function as such. Refer to product spec sheets/drawings for information about minimum and maximum operating temperatures.
6. Vista Manufacturing Inc. is not liable for any injuries or damage caused due to improper wiring or installation.

Vista reserves the right to modify this specification without prior notice.
