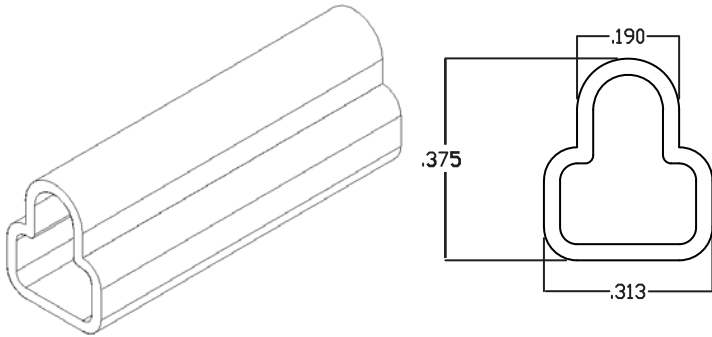


# LED Krystal-Lite

Glowing, Bright, High intensity LED Lighting in a sparkling, semi-rigid, high impact polycarbonate tube are made for diverse applications. This LED Lighting product is available in 5 different colors, custom lengths, custom spacing, and your choice of a round tube (3/8") or a square tube (5/16").

Material: Semi-Rigid, High Impact Polycarbonate

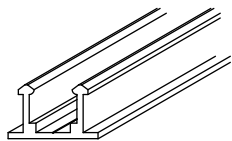


- ★ Exciting new light source that is designed for longer life.
- ★ Operates on 12V or 24V
- ★ LED Lighting colors available in blue, warm white, green, purple, white, amber, and red
- ★ Requires 90% less power than replaceable incandescent bulb systems
- ★ Long run lengths without line-loss
- ★ Transparent, flexible tube available in clear
- ★ U.V. additive inhibits color fading
- ★ Mount with clear LKL clip
- ★ U.L., C.S.A. and F.A.A. approved options available
- ★ Length-dependent on spacing and customer requirements.

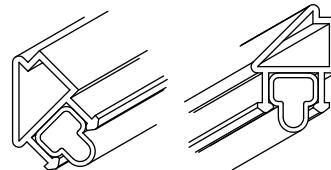
## LED Specifications:

LED Type	Color	Color temp/Wavelength	MCD	Current/LED 12V or 24VDC
3mm	White	7500-8500°K	3000	0.02 amps/set
3mm	Warm White	2900-3200°K	2300	0.02 amps/set
3mm	Blue	470nm	2500	0.02 amps/set
3mm	Purple	4600nm	190	0.02 amps/set
3mm	Green	525nm	5500	0.02 amps/set
3mm	Red	630nm	600	0.02 amps/set
3mm	Amber	591nm	600	0.02 amps/set

## Available Hardware Options :



LKL/LFL Clip for Flat Surface mounting.



LKL/LFL Corner Clip for 45° or 90° mounting

Channels are UV stabilized polycarbonate.